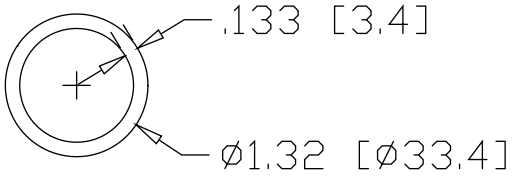
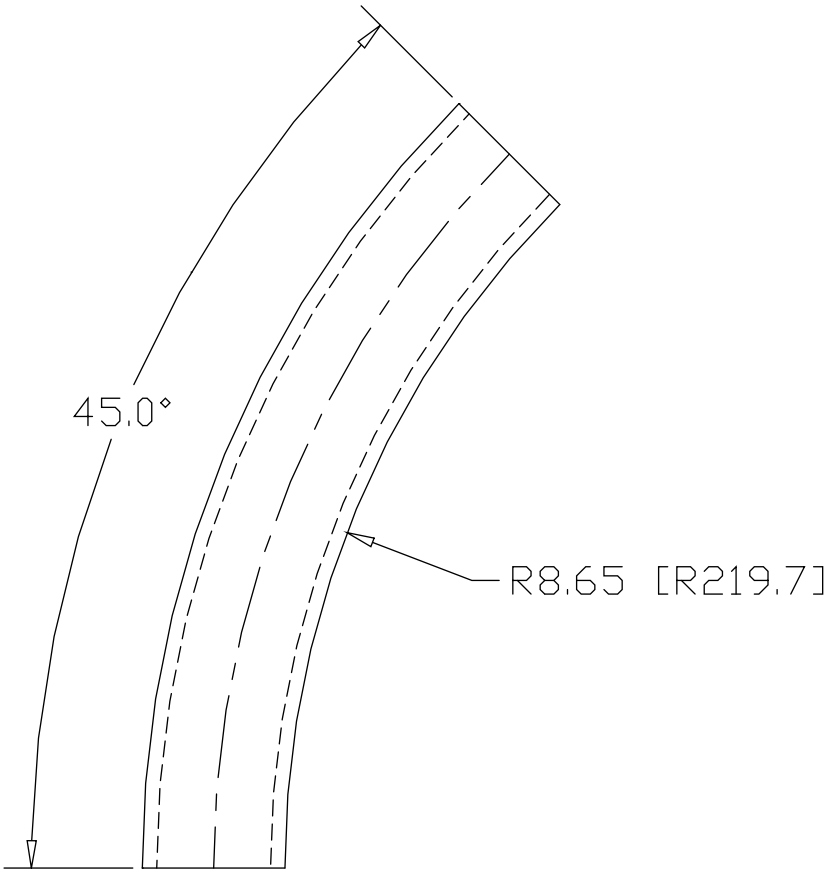



REV
SH
7652
DWG NO

REVISIONS			
REV	DESCRIPTION	DATE	APPROVED



INCHES [MILLIMETERS]

PART NAME		1" PIPE SIZE 45° ELL X 8.65" I.R.					
MATERIAL		1" SCH 40 A53 STEEL PIPE					
DATE	7/16/01	 THE WAGNER COMPANIES R & B WAGNER, INC. AND J. G. BRAUN CO.					
DRAWN BY	JAH						
FINISH	MILL						
SIZE	A	WEIGHT	.95 LBS	PART NUMBER	7652	REV	