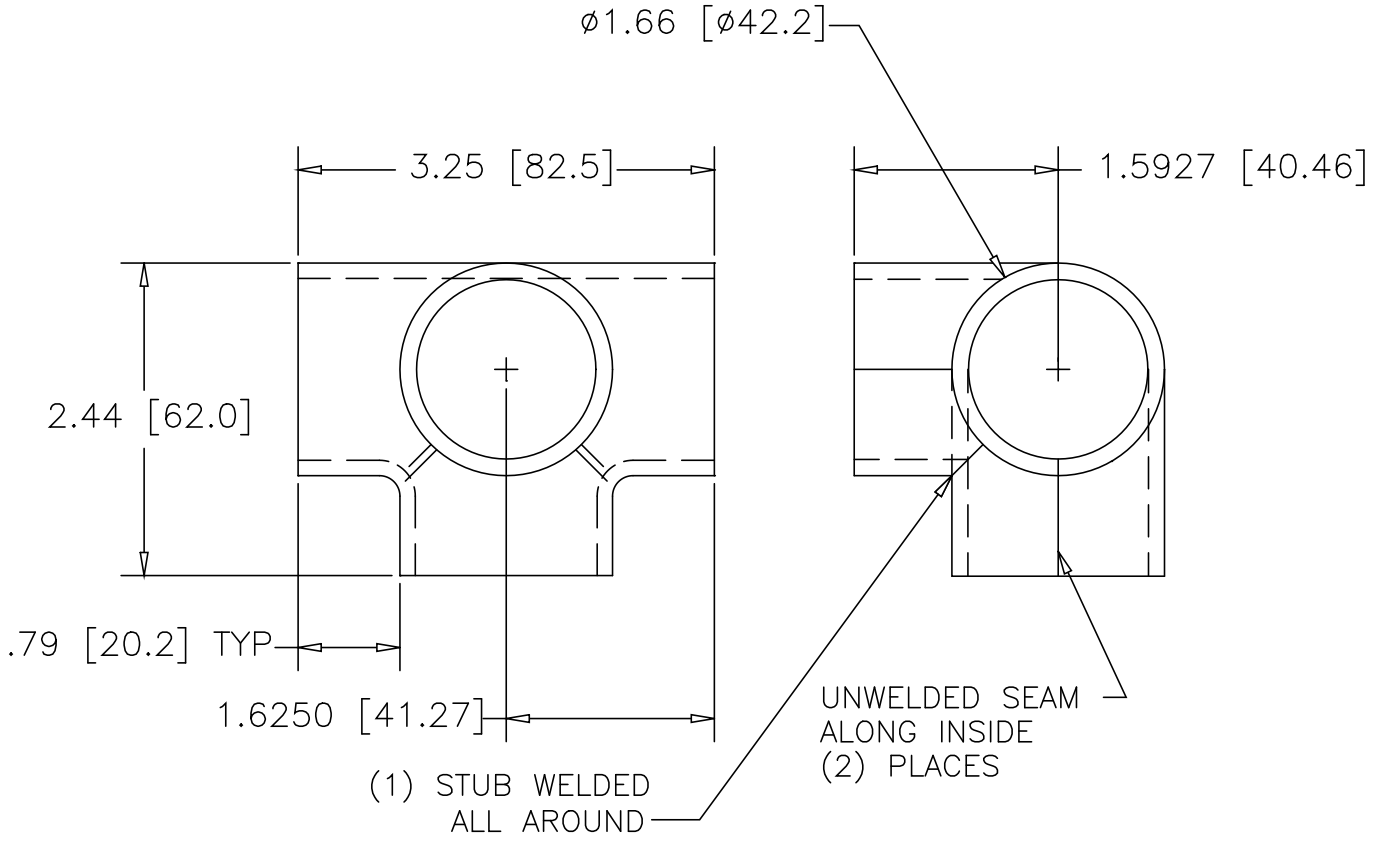



REV
SH
DWG NO 853

REVISIONS			
REV	DESCRIPTION	DATE	APPROVED



INCHES [MILLIMETERS]

PART NAME		1-1/4" PIPE SIZE FLUSH WELD TEE					
MATERIAL		10 GA. HRP&O STEEL ASTM A569					
DATE	1/03/02	 THE WAGNER COMPANIES R & B WAGNER, INC. AND J. G. BRAUN CO.					
DRAWN BY	JAH						
FINISH	MILL						
SIZE	A	WEIGHT	.90	PART NUMBER	853	REV	