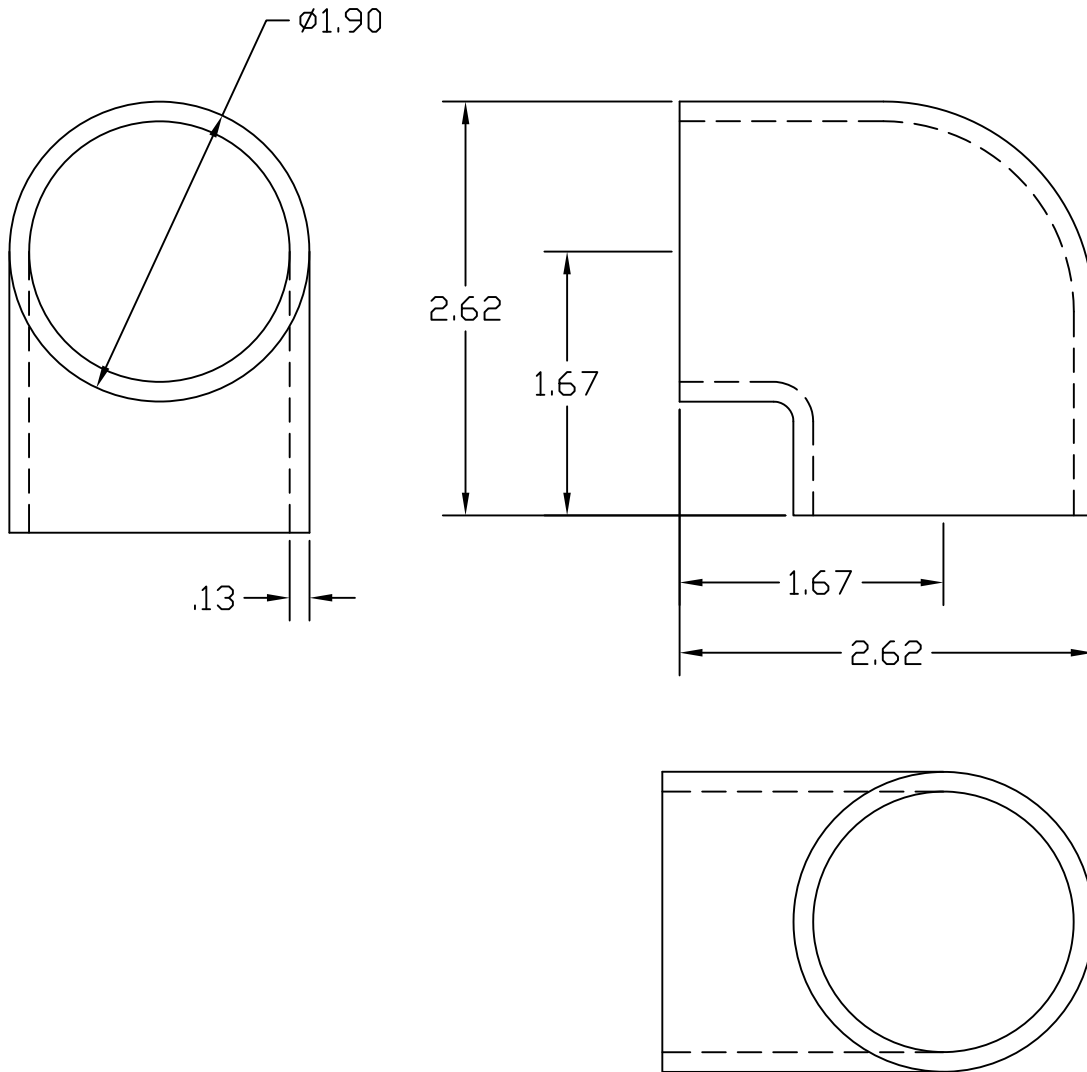



REV A
SH
DWG NO 824

REVISIONS			
REV	DESCRIPTION	DATE	APPROVED
A	2.62 WAS 2.73 (2) PLACES	04/04/18	RJF



ALTERNATE MATERIAL	PART NUMBER

PART NAME		1-1/2" PIPE SIZE 1/8" I.R. ELL		
MATERIAL		.125 (3003) ALUMINUM ASTM B209		
DATE	6/13/95	 R & B WAGNER, INC.		
DRAWN BY	RJF			
FINISH	MILL	SIZE	WEIGHT	PART NUMBER
		A	.30 LBS	824
				REV
				A