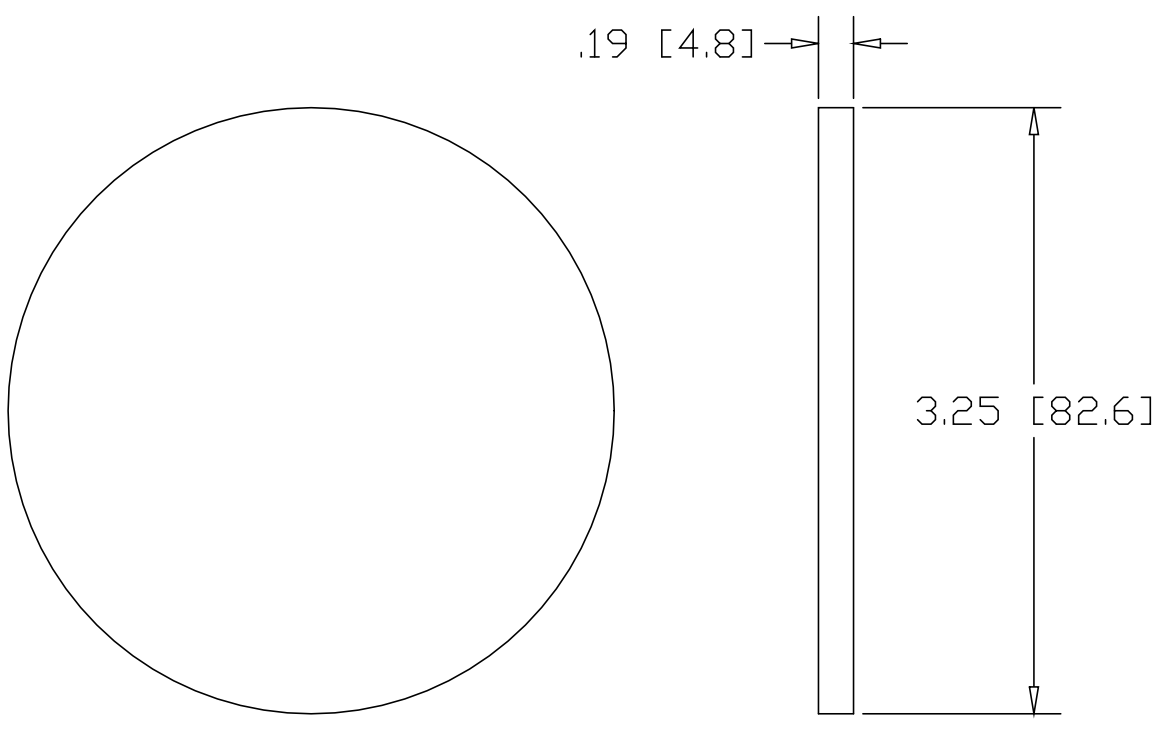


REV
SH
D154
DWG NO


REVISIONS

REV	DESCRIPTION	DATE	APPROVED
-----	-------------	------	----------



INCHES[MILLIMETERS]

ALTERNATE MATERIAL	PART NUMBER
.190 (3003) ALUMINUM ASTM B209	D155
7 GA 304 STAINLESS STEEL ASTM A240	D156
.188 (260) BRASS ASTM B19,B36	D157

PART NAME 3.25" OD TUBE SIZE TYPE-D WELD-ON DISK			
MATERIAL 7 GA. HRP&O STEEL ASTM A569			
DATE 11/20/98		THE WAGNER COMPANIES R & B WAGNER, INC. AND J. G. BRAUN CO.	
DRAWN BY RJF			
FINISH MILL			
SIZE A	WEIGHT .41 LBS	PART NUMBER D154	REV