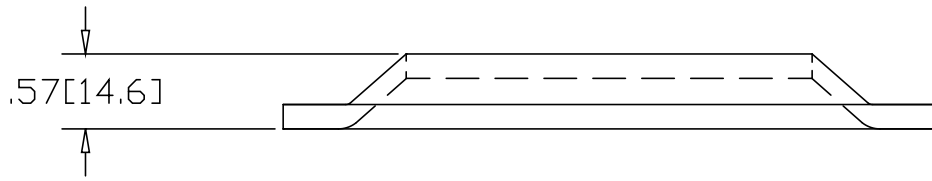
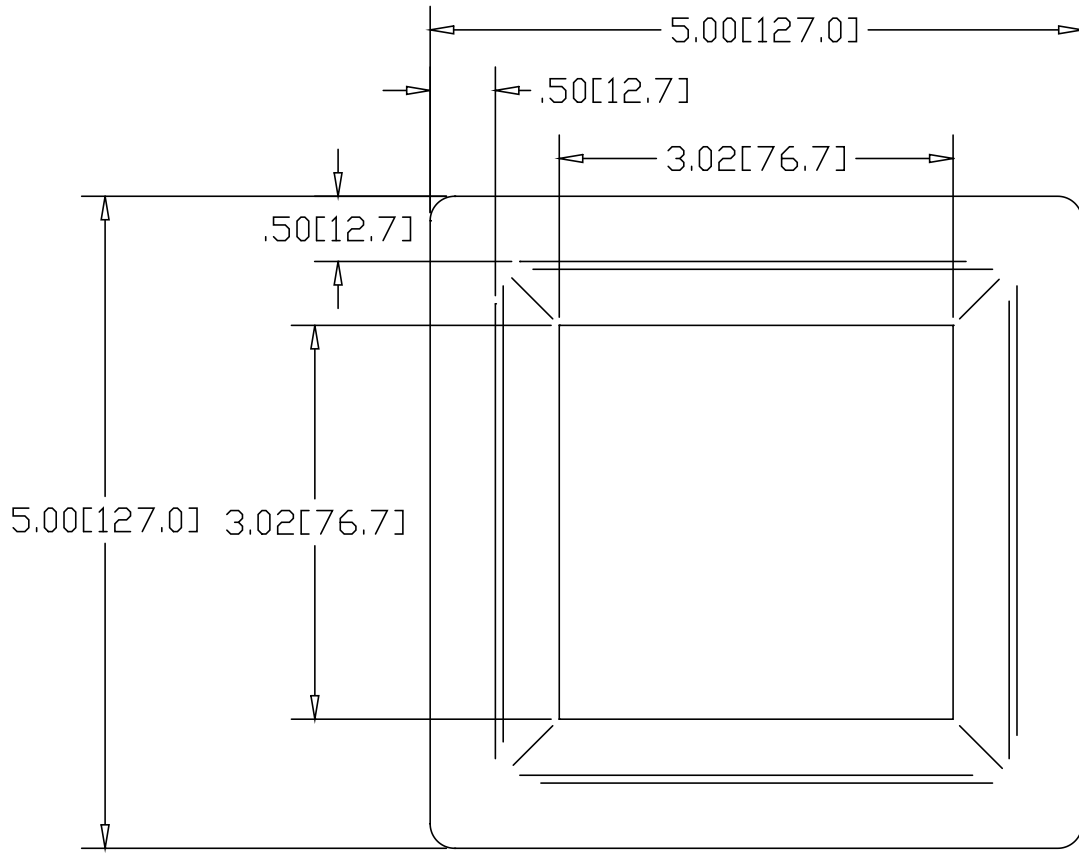



REV
SH
8096-NH
DWG NO

REVISIONS			
REV	DESCRIPTION	DATE	APPROVED



INCHES [MILLIMETERS]

ALTERNATE MATERIAL	PART NUMBER
.190 (3003) ALUMINUM ASTM B209	8098-NH

PART NAME				3.00" SQUARE TUBE FLANGE	
MATERIAL				7 GA. HRP&D STEEL ASTM A569	
DATE	6/12/96	 R & B WAGNER, INC.			
DRAWN BY	RJF				
FINISH	MILL	SIZE	A	WEIGHT	.9 LBS
			PART NUMBER	8096-NH	REV