

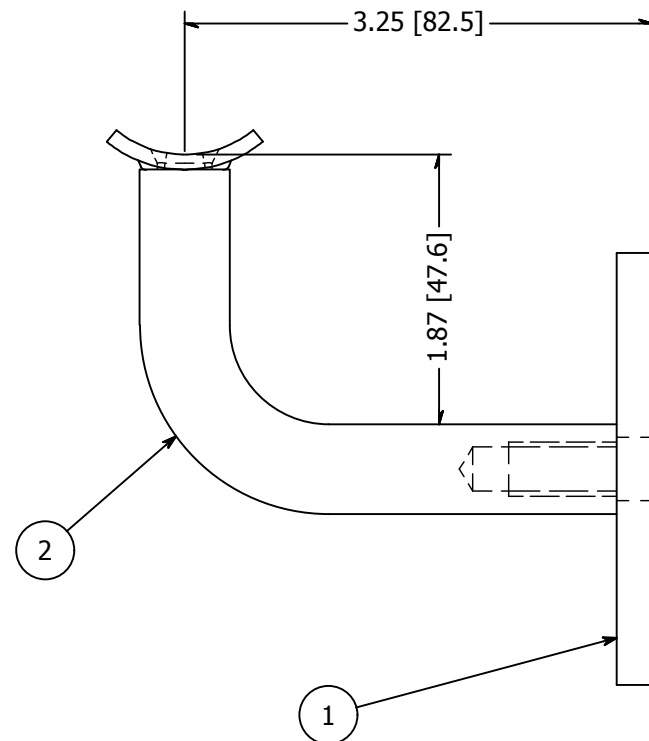
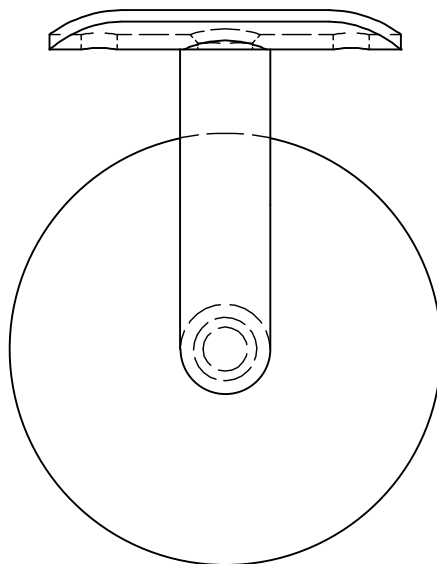
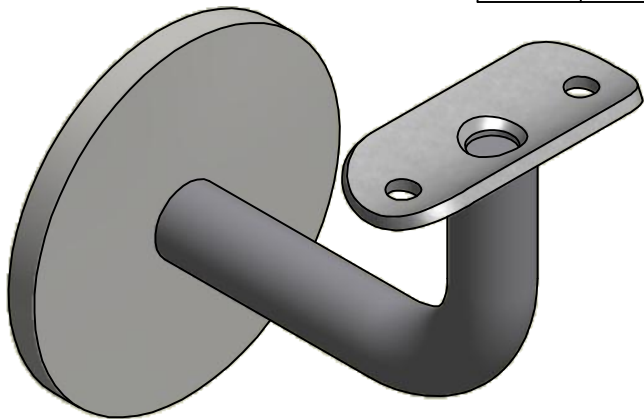
2



1

PARTS LIST

ITEM	QTY	PART NUMBER	DESCRIPTION
1	1	D143-.44CH	3" Round Backing Disk for Wall Mount
2	1	RB14130P	Handrail Bar Bend, ST, 5/8 Inch Diameter Bar Bend, 3 Inch From Post To Center




B

B



A

A

TOLERANCE FRACTION: X/XX..... = ± 1/16" over 4ft. 16 FT RAIL EXAMPLE: 16 FT / 4 FT = 4 * 1/16" = 1/4" 16 FT RAIL..... = ± 1/4" DECIMAL: X.XX..... = ± .030 X.XXX..... = ± .010 UNLESS OTHERWISE NOTED	FINISH:	DESCRIPTION: Handrail Bracket, ST, 5/8 Inch Diameter Bar Bend, 3-1/4 Inch From Wall To Center							
	MILL	MATERIAL:	STEEL	CUSTOMER NAME:					
	WEIGHT:	DATE:	5/8/2014	 THE WAGNER COMPANIES R & B WAGNER, INC. AND J. G. BRAUN CO.					
	0.94 lbmass	DRAWN BY:	K. Turdo						
SIZE:	A	ITEM NUMBER:	RB14130	SHEET:	1 OF 1	DRAWING NUMBER:	RB14130	REV:	-

2



1