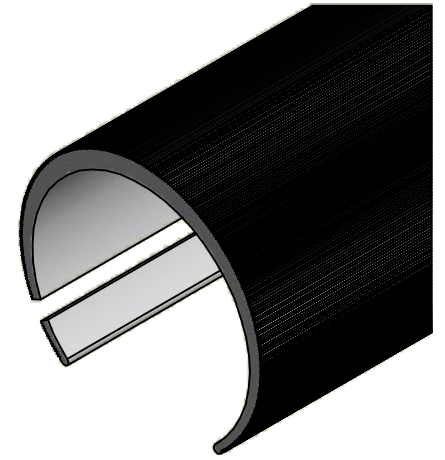


2

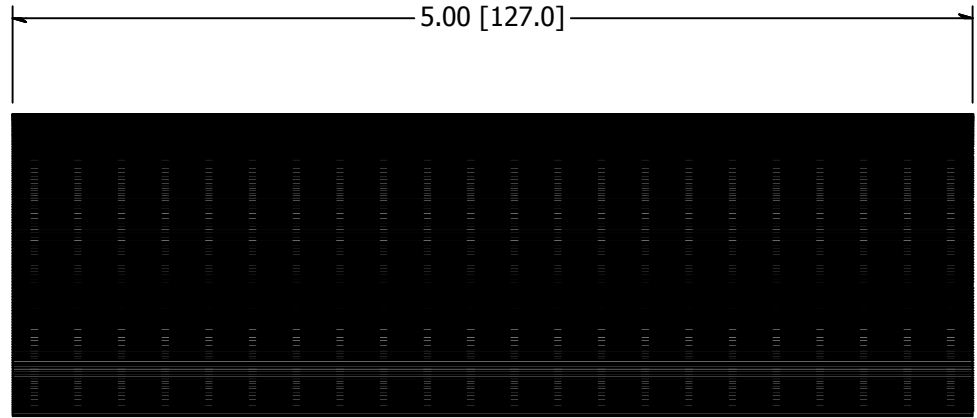
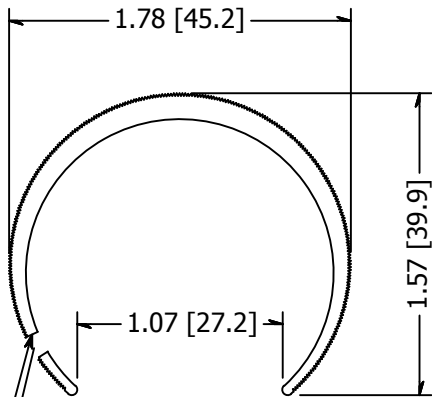


1

B



B



Note: Cut One Leg Lengthwise to Allow Clearance For Caprail

1.31 ± 0.03 [33.3 ± 0.8]

A

A

<b>TOLERANCE</b>  UNLESS OTHERWISE NOTED, TOLERANCES TO CONFORM TO ES.03.011	CUT LENGTH:	FINISH:	DESCRIPTION:	
		Mill	SLEEVE ALUMINUM CONNECTOR FOR 2.0 OD X 0.125W	
	DEVELOPED LENGTH:	WEIGHT:	MATERIAL:	MATERIAL DESC:
		0.19 lbmass	Aluminum	Aluminum
TOOL NUMBER:		DATE:	2/15/2018	REV:
		DRAWN BY:	T. Kolbach	-
		PART NUMBER:	GR2200S	
		<b>WAGNER</b> ™ 10600 W Brown Deer Rd Milwaukee, WI 53224 COLLABORATIVE METALWORKS <a href="http://www.wagnercompanies.com/">http://www.wagnercompanies.com/</a>		

2



1