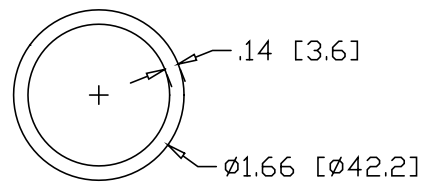
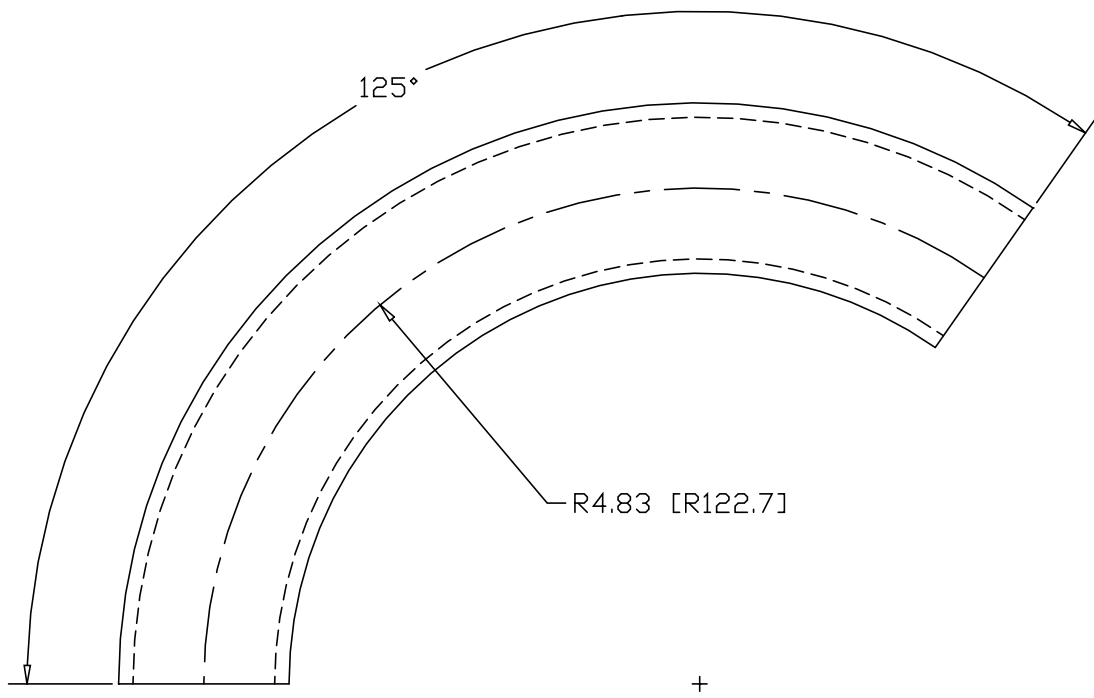



REV
SH
DWG NO 5636

REVISIONS			
REV	DESCRIPTION	DATE	APPROVED



INCHES [MILLIMETERS]

PART NAME		1-1/4" PIPE SIZE 125° ELL X 4" I.R.					
MATERIAL		1-1/4" SCH 40 A53 STEEL PIPE					
DATE	4/5/96		THE WAGNER COMPANIES R & B WAGNER, INC. AND J. G. BRAUN CO.				
DRAWN BY	RJF						
FINISH	MILL						
SIZE	A	WEIGHT	1.99 LBS	PART NUMBER	5636	REV	