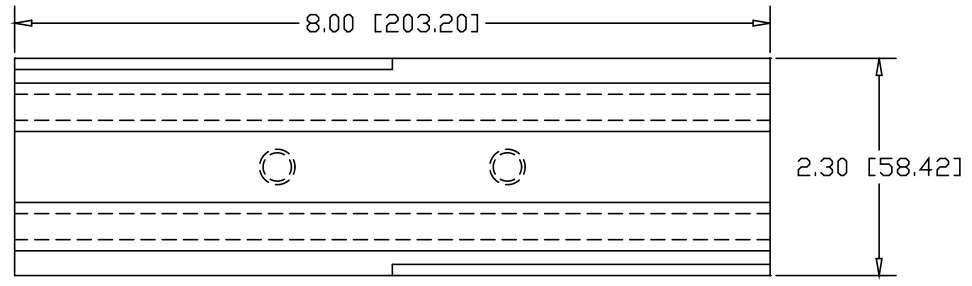
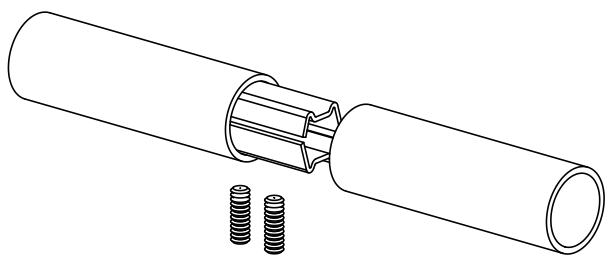
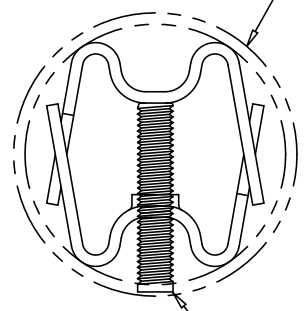


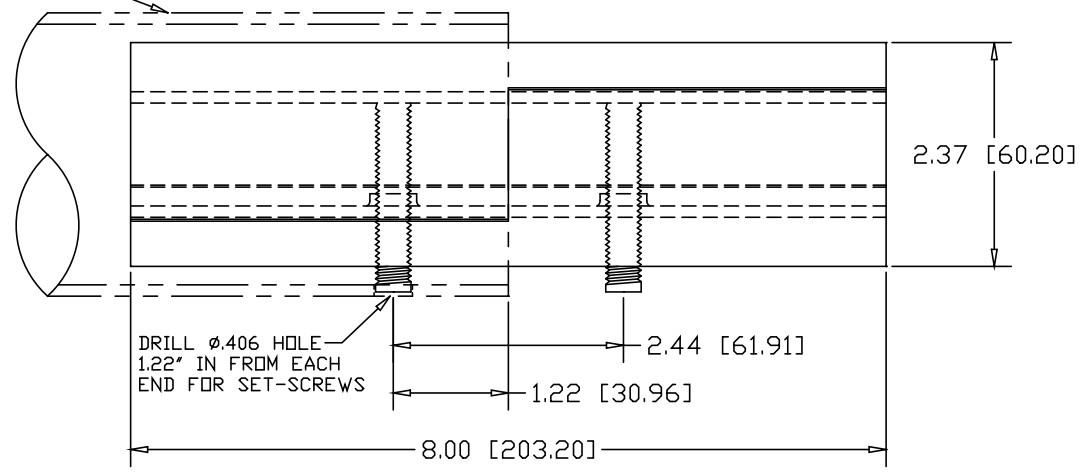
REVISIONS			
REV	DESCRIPTION	DATE	APPROVED



3.00" O.D. X .120W TUBE




3/8-16 X 2" SOCKET HEAD SET-SCREW



DRILL ϕ .406 HOLE
1.22" IN FROM EACH
END FOR SET-SCREWS

ALTERNATE MATERIAL	PART NO.
12 GA. STEEL HOT DIP GALVANIZED	G3394-8
12 GA. STEEL ZINC PLATED	PL3394-8
.090 (3003) ALUMINUM ASTM B209	3395-8
.090 (304) STAINLESS STEEL ASTM A240	3396-8

PART NAME		3.00" O.D. X .120W TUBE DOUBLE-LOCK SPLICE-LOCK 8" LONG					
MATERIAL		12 GA. HRP&D STEEL ASTM A569					
DATE	6/12/96	 R & B WAGNER, INC.					
DRAWN BY	RJF						
FINISH	MILL						
SIZE	A	WEIGHT	2.44 LBS	PART NUMBER	3394-8	REV	