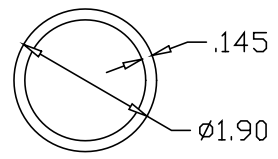
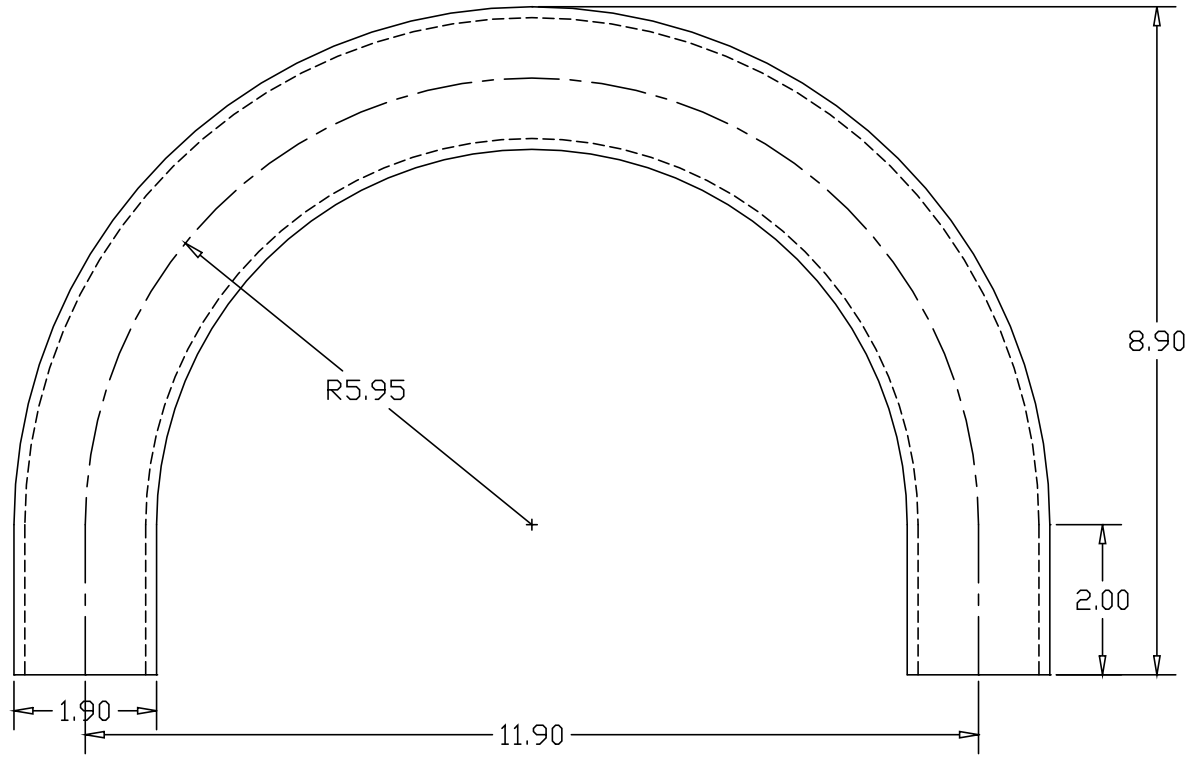



REV  
SH  
DWG NO

REVISIONS			
REV	DESCRIPTION	DATE	APPROVED



PART NAME			
MATERIAL			
DATE		<b>THE WAGNER COMPANIES</b> R & B WAGNER, INC. AND J. G. BRAUN CO.	
DRAWN BY			
FINISH			
SIZE A	WEIGHT	PART NUMBER	REV