

2



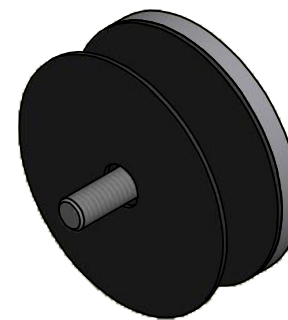
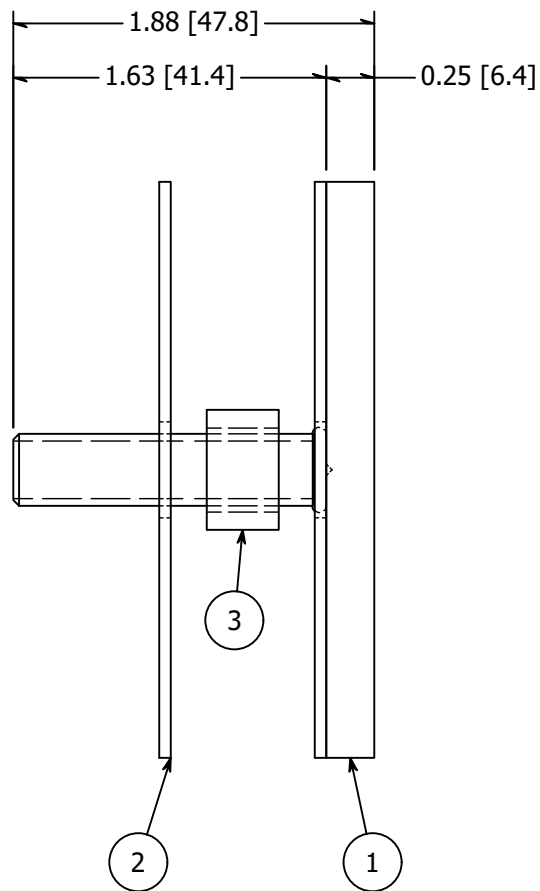
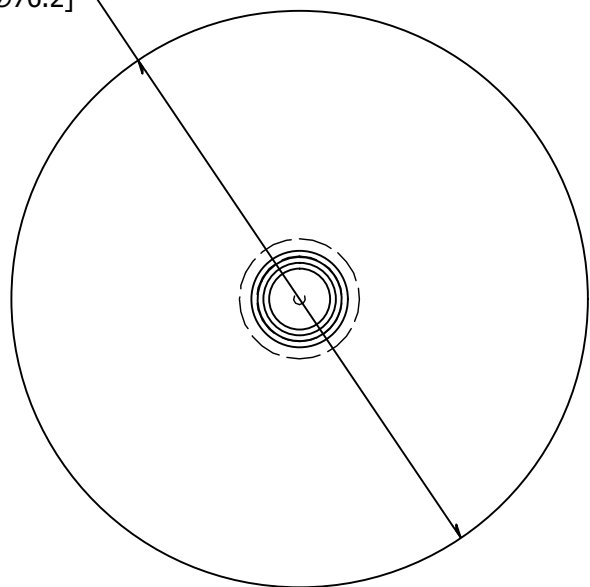
1

PARTS LIST

ITEM	QTY	PART NUMBER	DESCRIPTION
1	1	GB4383HS.75	DISK SS 3.00 .25 #4 W/ .38 STUD FOR 3/4 GLASS BRKT BACKING DISK
2	2	GB4381F	GASKET PL 3.00 W/.500 CH FOR GLASS MOUNT BRACKET
3	1	GB4381G	SPACER NYLON .63 OD X .095W X .375 LG FOR GLASS MT BRACKET

B

∅3.00 [∅76.2]



B

A

A

TOLERANCE UNLESS OTHERWISE NOTED, TOLERANCES TO CONFORM TO ES.03.011	MATERIAL: 304 Stainless	DESCRIPTION: GLASS MOUNT ADAPTER KIT SS #4 FOR 3/4" GLASS	
	FINISH: #4	DATE: 2/11/2021	REV: -
	WEIGHT: N/A	DRAWN BY: D.Charlier	
		ITEM NUMBER: GB4383K.75	

 **WAGNER**™ 10600 W Brown Deer Rd
Milwaukee, WI 53224
COLLABORATIVE METALWORKS <http://www.wagnercompanies.com/>

2



1