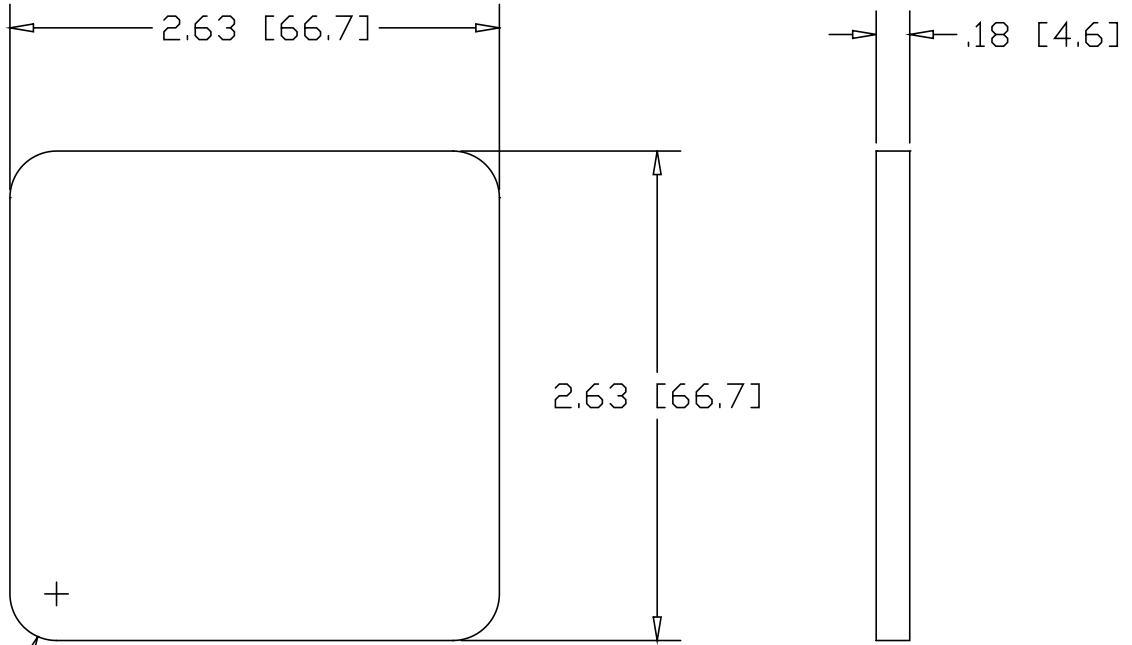


REV
SH
3221-1D
DWG NO


REVISIONS			
REV	DESCRIPTION	DATE	APPROVED



R.25 [R6.4]

INCHES [MILLIMETERS]

ALTERNATE MATERIAL	PART NUMBER
.190 (3003) ALUMINUM ASTM B209	3221-1A
7 GA. (304) STAINLESS STEEL ASTM A240	3221-1SS
.188 (260) BRASS ASTM B19,B36	BRS3221-1D

PART NAME 2-5/8" SQUARE WITH ROUNDED CORNERS			
MATERIAL 7 GA. HRP&D STEEL ASTM A569			
DATE	9/29/95	 THE WAGNER COMPANIES R & B WAGNER, INC. AND J. G. BRAUN CO.	
DRAWN BY	RJF		
FINISH	MILL		
SIZE	WEIGHT	PART NUMBER	REV
A	.35 LBS	3221-1D	