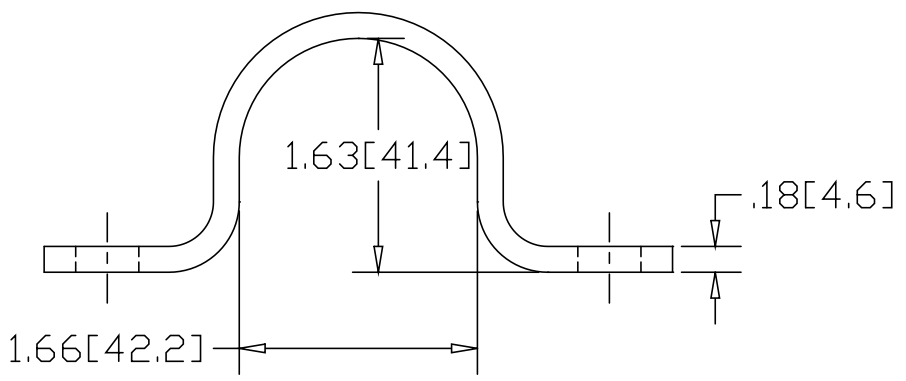
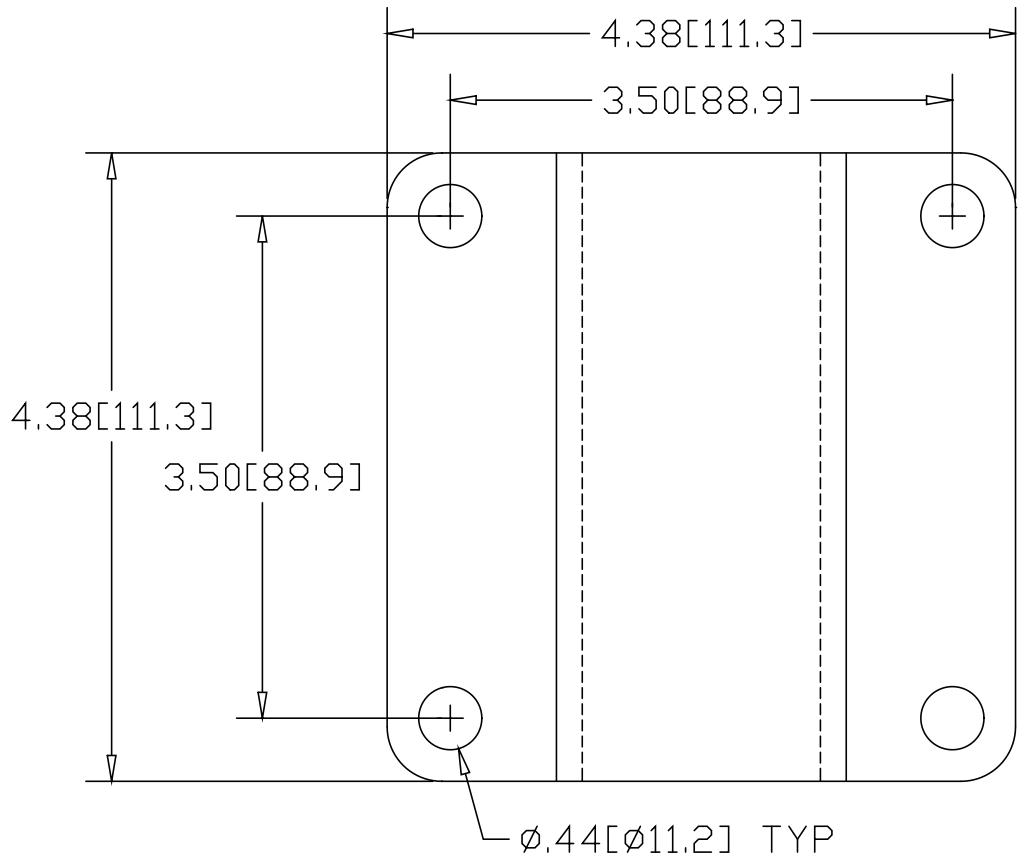



REV  
SH  
3682  
DWG NO

REVISIONS			
REV	DESCRIPTION	DATE	APPROVED



INCHES [MILLIMETERS]

ALTERNATE MATERIAL	PART NUMBER
.190 (3003) ALUMINUM ASTM B209	3683
7 GA. (304) STAINLESS STEEL ASTM A240	3682-SS

PART NAME 1-1/4" PIPE X 4.38" WIDE U-BRACKET W/(4) HOLES			
MATERIAL 7 GA. HRP&D STEEL ASTM A569			
DATE 02/11/00	 <b>THE WAGNER COMPANIES</b> R & B WAGNER, INC. AND J. G. BRAUN CO.		
DRAWN BY RJF		SIZE A	WEIGHT 1.33 LBS
FINISH MILL		PART NUMBER 3682	REV