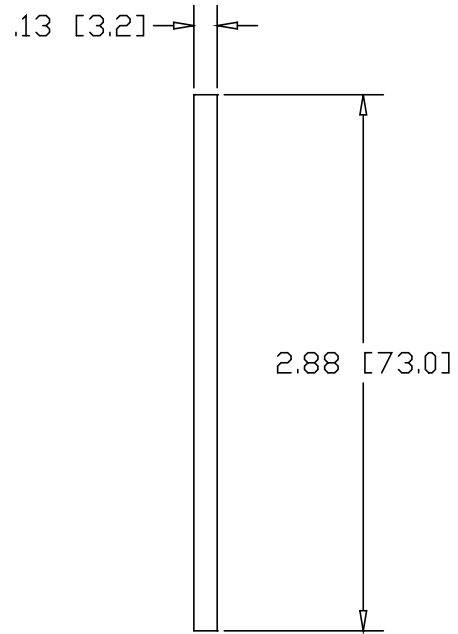
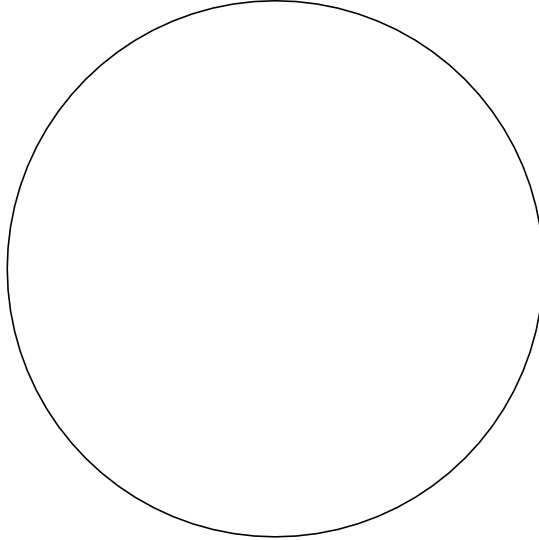
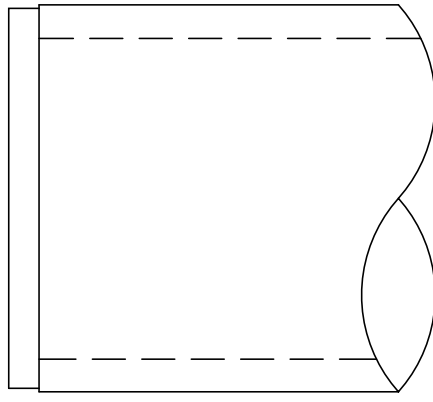
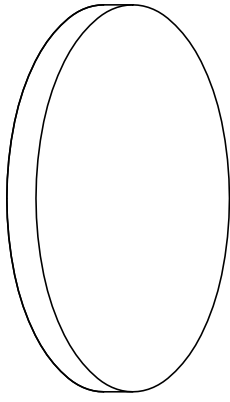



REV  
SH  
DWG NO D132-1

REVISIONS			
REV	DESCRIPTION	DATE	APPROVED



INCHES [MILLIMETERS]

ALTERNATE MATERIAL	PART NUMBER
.125 (3003) ALUMINUM ASTM B209	D132-2
10 GA. (304) STAINLESS STEEL ASTM A240	D132-3
.125 (260) BRASS ASTM B19,B36	D132-4

PART NAME		2 1/2" PIPE SIZE TYPE-D WELD-ON DISK					
MATERIAL		10 GA. HRP&D STEEL ASTM A569					
DATE	10/11/96	 <b>THE WAGNER COMPANIES</b> R & B WAGNER, INC. AND J. G. BRAUN CO.					
DRAWN BY	RJF						
FINISH	MILL						
SIZE	A	WEIGHT	.21 LBS	PART NUMBER	D132-1	REV	