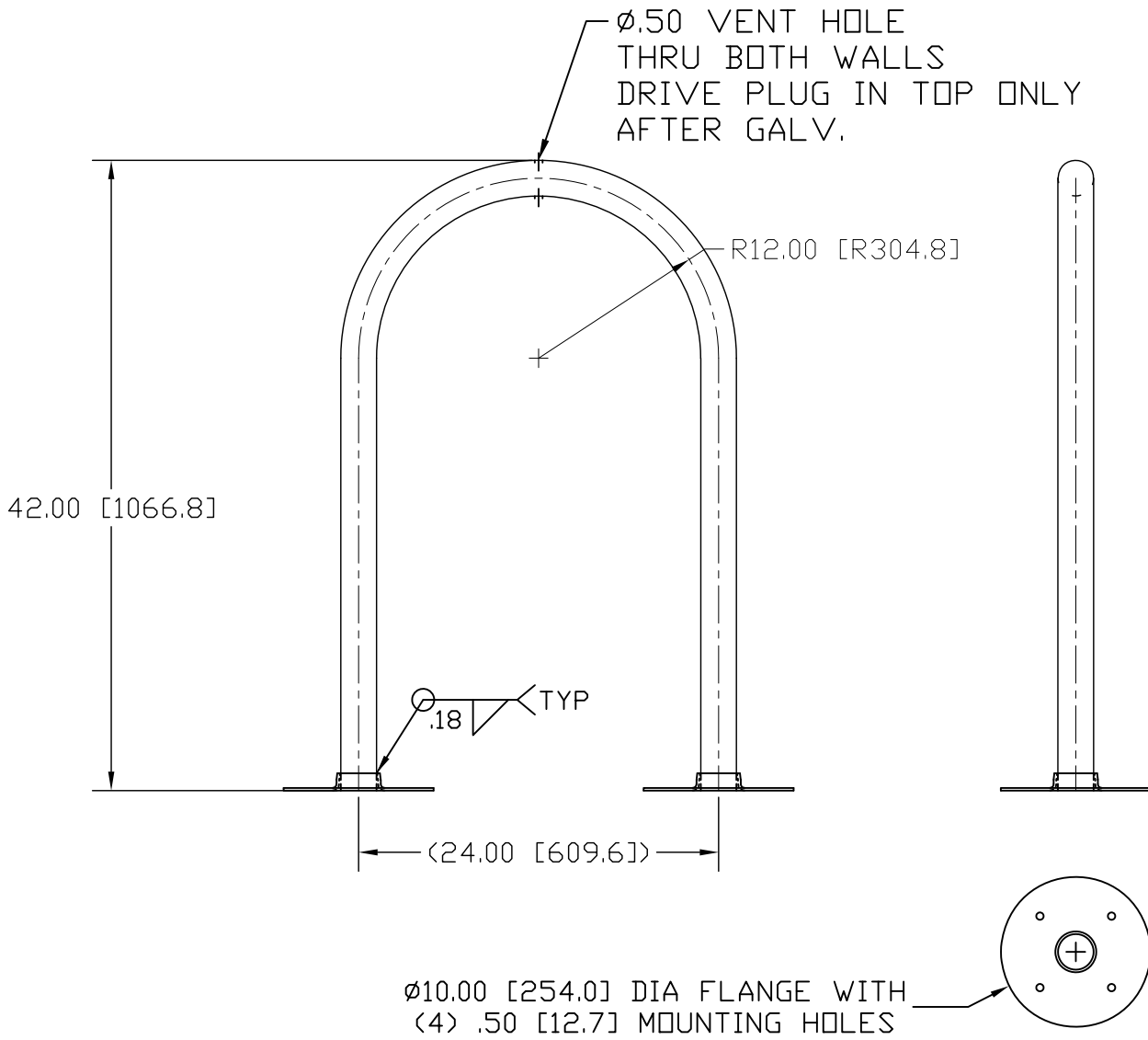



REV E  
SH  
SR1G-SM  
DWG NO

REVISIONS			
REV	DESCRIPTION	DATE	APPROVED
A	CHANGED MTG LEGS TO SQUARE TUBE	04/24/01	RJF
B	CHANGED TO FLANGE MOUNT	01/30/03	RJF
C	OVERALL HEIGHT WAS 36.00	12/18/06	RJF
D	REDRAWN, ADDED VENT HOLE NOTE	07/23/12	RJF
E	.50 VENT HOLES WERE .52	05/26/17	RJF



INCHES [MILLIMETERS]

PART NAME		SINGLE LOOP BIKE RACK W/SURFACE MOUNT		
MATERIAL		2" SCH 40 (2.38" O.D.) A53 STEEL PIPE		
DATE	12/23/97	 <b>THE WAGNER COMPANIES</b> R & B WAGNER, INC. AND J. G. BRAUN CO.		
DRAWN BY	RJF			
FINISH	HOT DIP GALVANIZED	SIZE	WEIGHT	PART NUMBER
		A	33 LBS	SR1G-SM
				REV E