

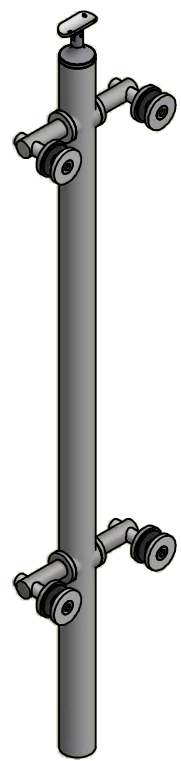
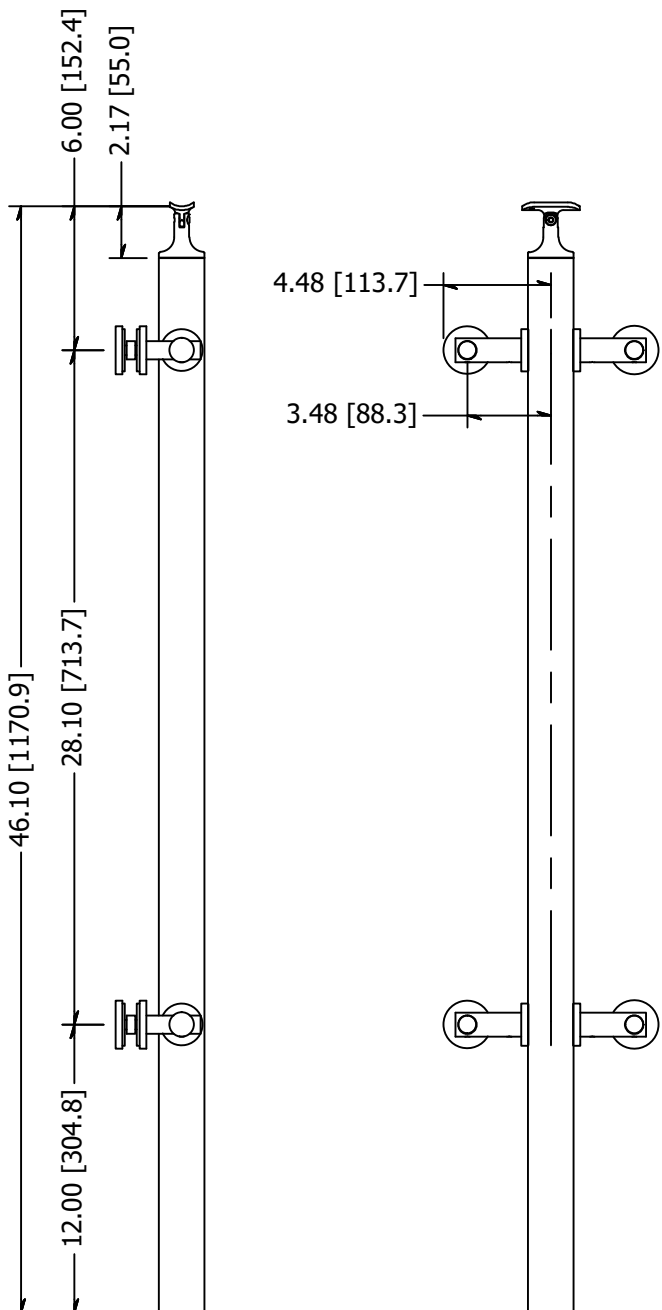


PARTS LIST

ITEM	QTY	PART NUMBER	DESCRIPTION
1	1	LG31942MEMA	Intermediate Post, Stainless Steel, 1-1/2 Inch Pipe (1.90 OD) Sch 40, 42 High, Brushed Satin Finish, Grade 316, Embed Mnt, Assm
2	1	SS507	SADDLE, SWIVEL, CAST W/ HOLES
3	4	LXTB51-1	Point Fitting, Stainless Steel, 51 mm Head, 1 Point, Tubular Body, Brushed Satin Finish, Grade 316, 0.50 Inch Glass

B

B



A

A

REVISION HISTORY			
REV	DESCRIPTION	DATE	APPROVED
1	Revised to Metric	3/24/2015	TLK
2	Revised LXTB51-1 to LX51FBS	10/27/2015	KGB
3	Revised LX51FBS to LXTB51-1	8/23/2016	TLK
4	Drawing Update	6/25/2019	GPW

TOLERANCE UNLESS OTHERWISE NOTED, TOLERANCES TO CONFORM TO ES.03.011	MATERIAL: 316 Stainless	DESCRIPTION: Intermediate Post, Stainless Steel, 1-1/2 Inch Pipe (1.90 OD) Sch 40, 42 High, Brushed Satin Finish, Grade 316, Embed Mnt, 2 pt	
	FINISH: Satin Brushed	DATE: 6/25/2019	REV: 4
	WEIGHT: 17.42 lbmass	DRAWN BY: T. Kolbach	
	ITEM NUMBER: LG31942CMEM.4		10600 W Brown Deer Rd Milwaukee, WI 53224 COLLABORATIVE METALWORKS http://www.wagnercompanies.com/

