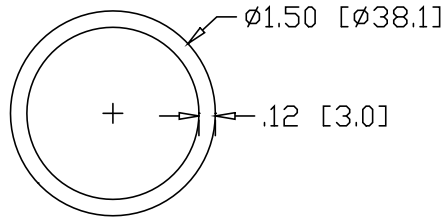
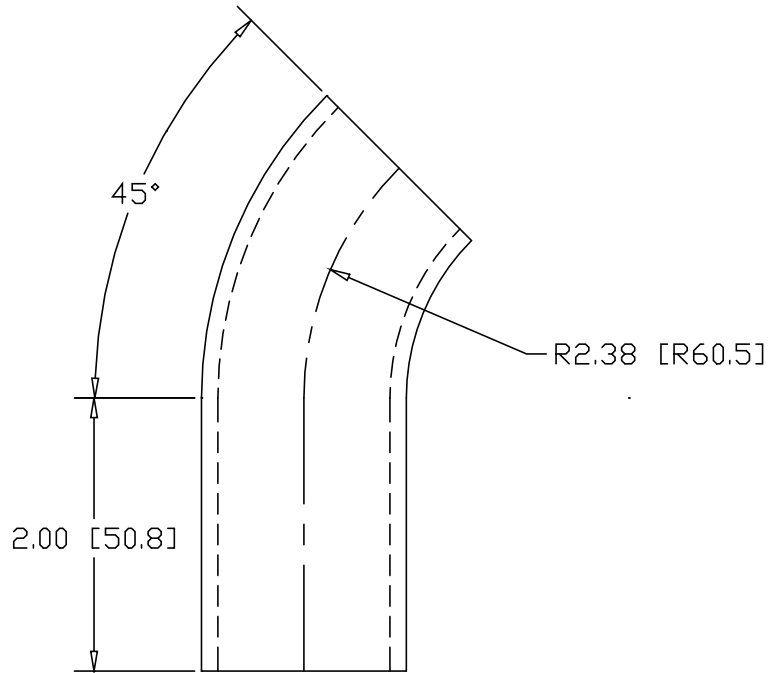



REV  
SH  
6903-1  
DWG NO

REVISIONS			
REV	DESCRIPTION	DATE	APPROVED



INCHES [MILLIMETERS]

PART NAME 1.50" O.D. TUBE 45° ELL X 2.38" CLR W/⟨1⟩ 2" TANGENT				
MATERIAL 1.50" O.D. X .120W STEEL TUBE				
DATE	09/02/10		R & B WAGNER, INC.	
DRAWN BY	PWH			
FINISH	MILL		SIZE	WEIGHT
		A	.75 LBS	6903-1
				REV