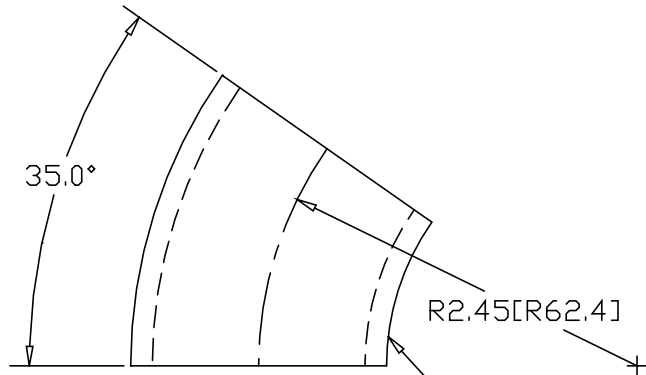
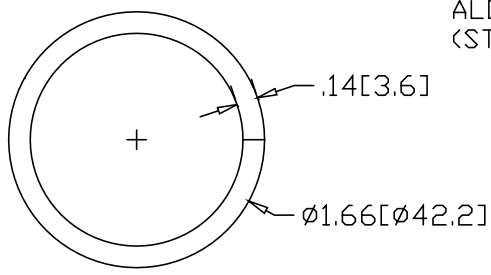


REV
SH
4431
DWG NO

| REVISIONS | | | |
|-----------|-------------|------|----------|
| REV | DESCRIPTION | DATE | APPROVED |




NOTE: UNWELDED SEAM
ALONG INSIDE RADIUS
(STEEL ELLS ONLY)



INCHES [MILLIMETERS]

| ALTERNATE MATERIAL | PART NUMBER |
|--|-------------|
| 1-1/4" SCH 40 (6063) ALUMINUM PIPE | 4441 |
| 1-1/4" SCH 40 (304) STAINLESS STEEL PIPE | 4651 |

| | | | | | |
|-----------|---------|---|---------|--|------|
| PART NAME | | | | 1-1/4" PIPE SIZE 35° ELL X 1-5/8" I.R. | |
| MATERIAL | | | | 10 GA. HRP&D STEEL ASTM A569 | |
| DATE | 8/18/95 |  R & B WAGNER, INC. | | | |
| DRAWN BY | RJF | | | | |
| FINISH | MILL | | | | |
| SIZE | A | WEIGHT | .29 LBS | PART NUMBER | 4431 |
| | | | | REV | |