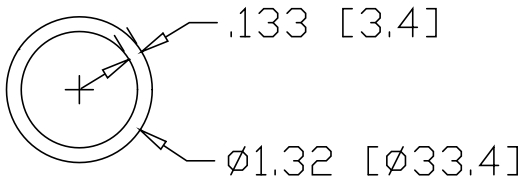
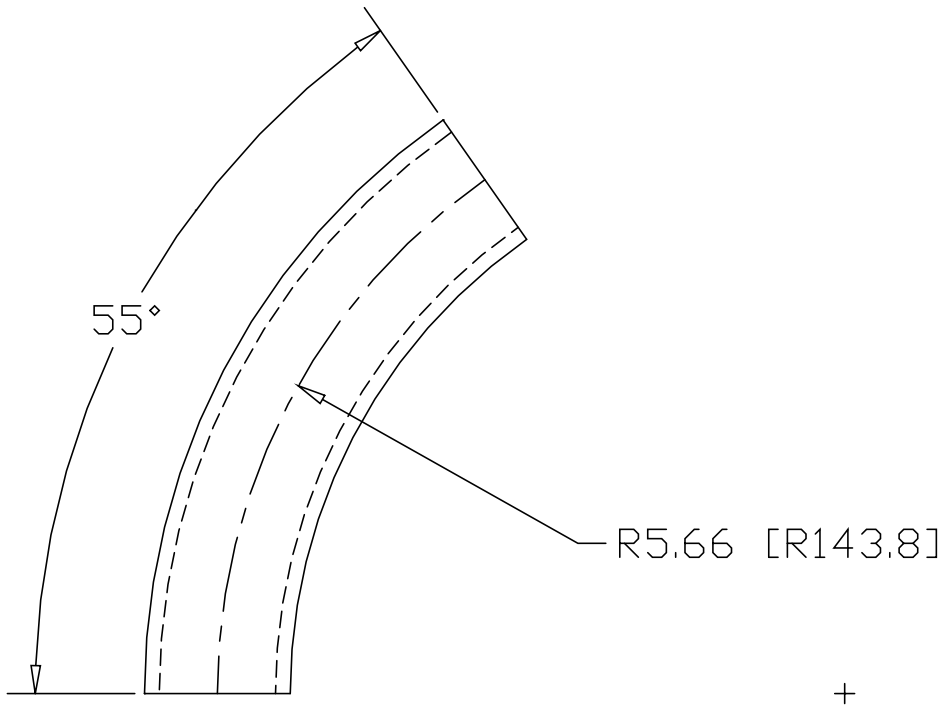



REV
SH
7005
DWG NO

REVISIONS			
REV	DESCRIPTION	DATE	APPROVED



INCHES [MILLIMETERS]

ALTERNATE MATERIAL	PART NUMBER
1" SCH 40 (6063) ALUMINUM PIPE	7025
1" SCH 40 (304) STAINLESS STEEL PIPE	7045

PART NAME		1" PIPE SIZE 55° ELL X 5" I.R.			
MATERIAL		1" SCH 40 A53 STEEL PIPE			
DATE	4/30/96	 R & B WAGNER, INC.			
DRAWN BY	RJF				
FINISH	MILL	SIZE	WEIGHT	PART NUMBER	REV
		A	.75 LBS	7005	