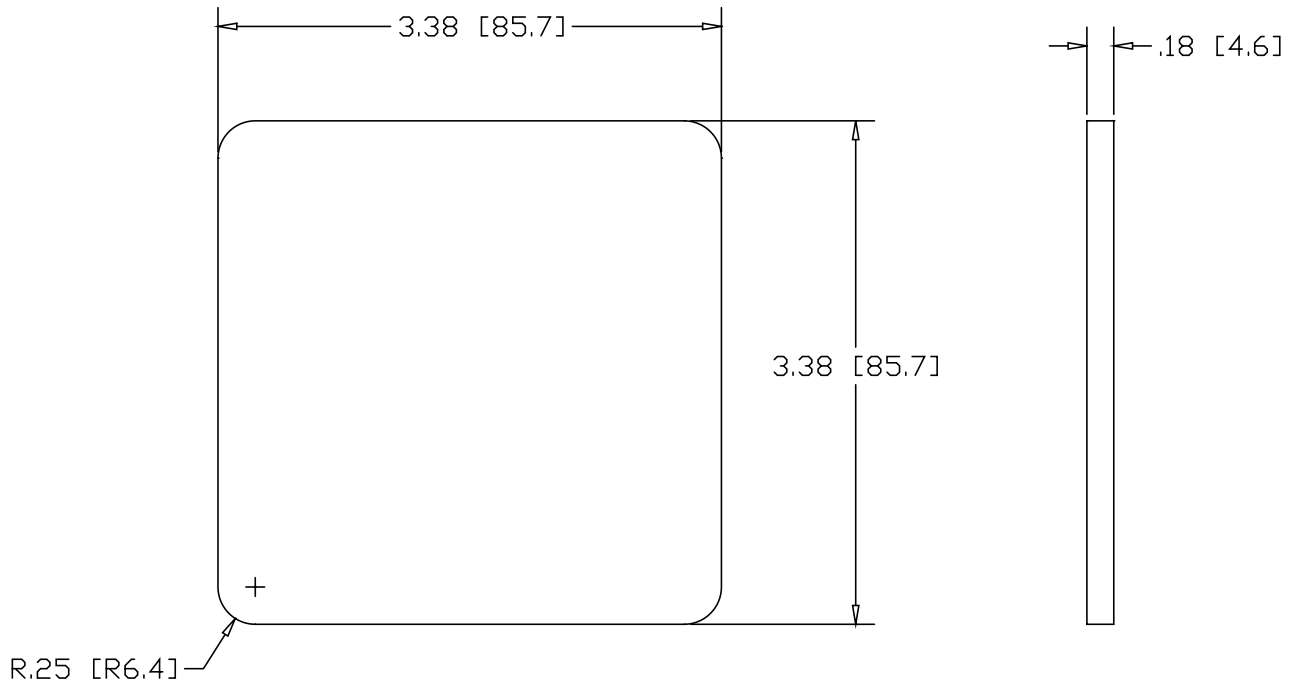



REV
SH
3221-2D
DWG NO

REVISIONS			
REV	DESCRIPTION	DATE	APPROVED



INCHES [MILLIMETERS]

ALTERNATE MATERIAL	PART NUMBER
.190 (3003) ALUMINUM ASTM B209	3221-2A
7 GA. (304) STAINLESS STEEL ASTM A240	3221-2SS
.188 (260) BRASS ASTM B19,B36	BRS3221-2D

PART NAME 3.38" SQUARE WITH ROUNDED CORNERS			
MATERIAL 7 GA. HRP&D STEEL ASTM A569			
DATE	9/29/95	 THE WAGNER COMPANIES R & B WAGNER, INC. AND J. G. BRAUN CO.	
DRAWN BY	RJF		
FINISH	MILL		
SIZE	WEIGHT	PART NUMBER	REV
A	.58 LBS	3221-2D	