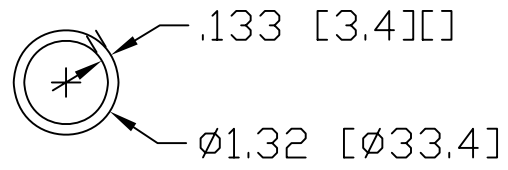
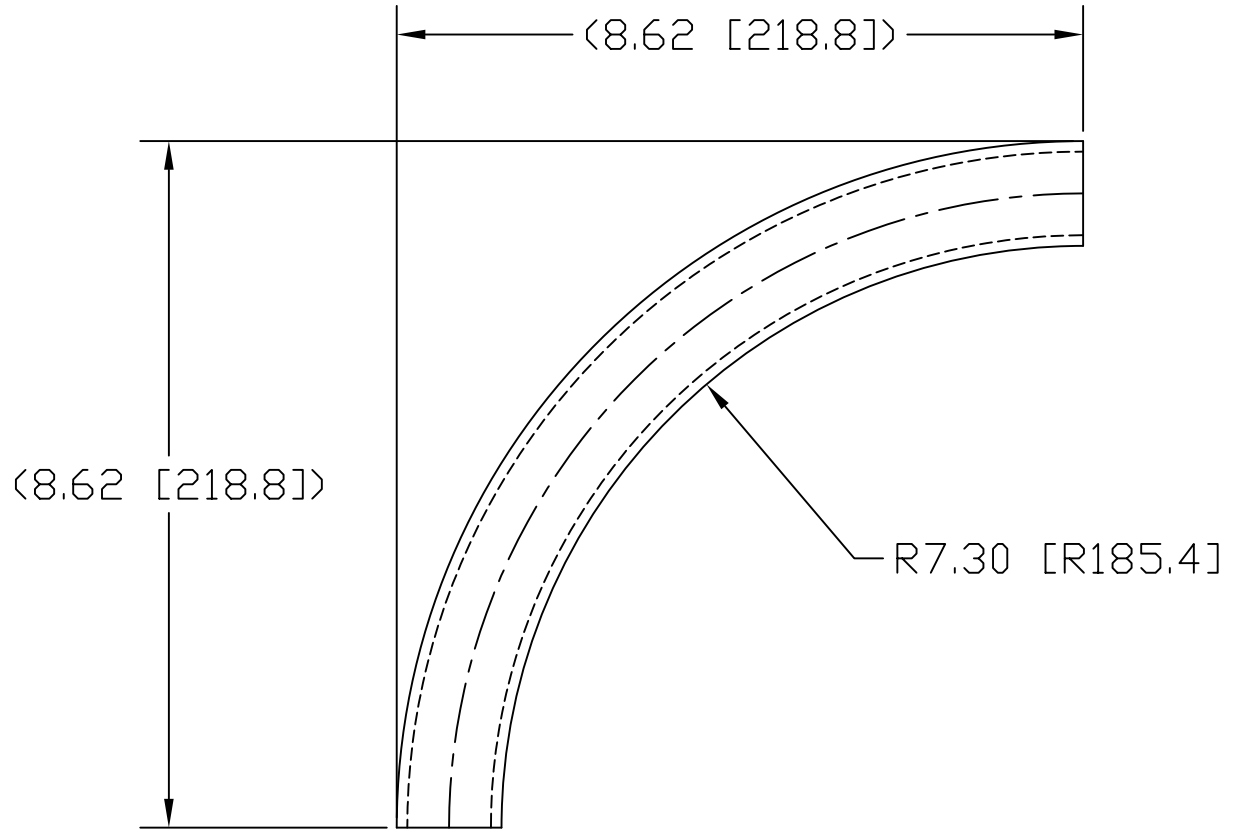



REV
SH
DWG NO 8506

| REVISIONS | | | |
|-----------|-------------|------|----------|
| REV | DESCRIPTION | DATE | APPROVED |



INCHES [MILLIMETERS]

| | | | | |
|-----------|---------|---|----------|-------------|
| PART NAME | | 1" PIPE SIZE 90° ELL X 7.30" I.R. | | |
| MATERIAL | | 1" SCH 40 A53 STEEL PIPE | | |
| DATE | 7/16/01 |  THE WAGNER COMPANIES R & B WAGNER, INC. AND J. G. BRAUN CO. | | |
| DRAWN BY | JAH | | | |
| FINISH | MILL | SIZE | WEIGHT | PART NUMBER |
| | | A | 1.68 LBS | 8506 |
| | | | | REV |