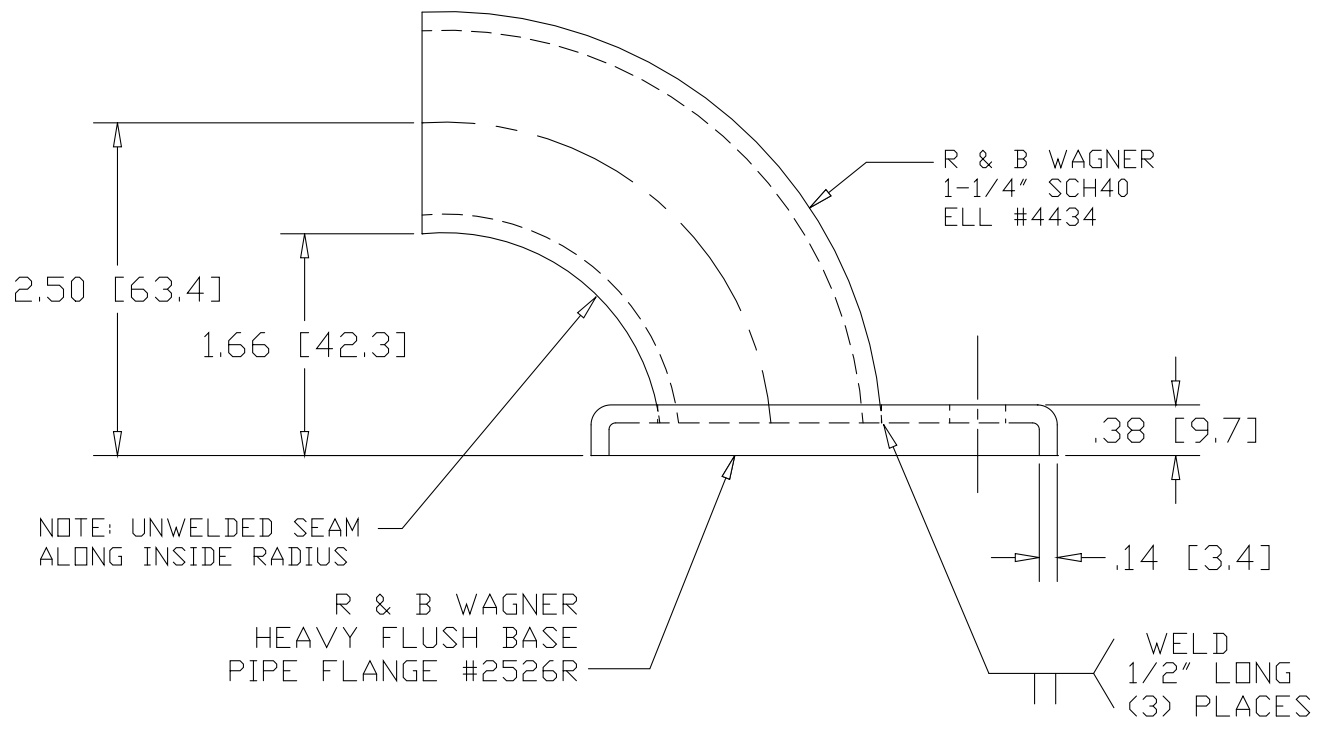
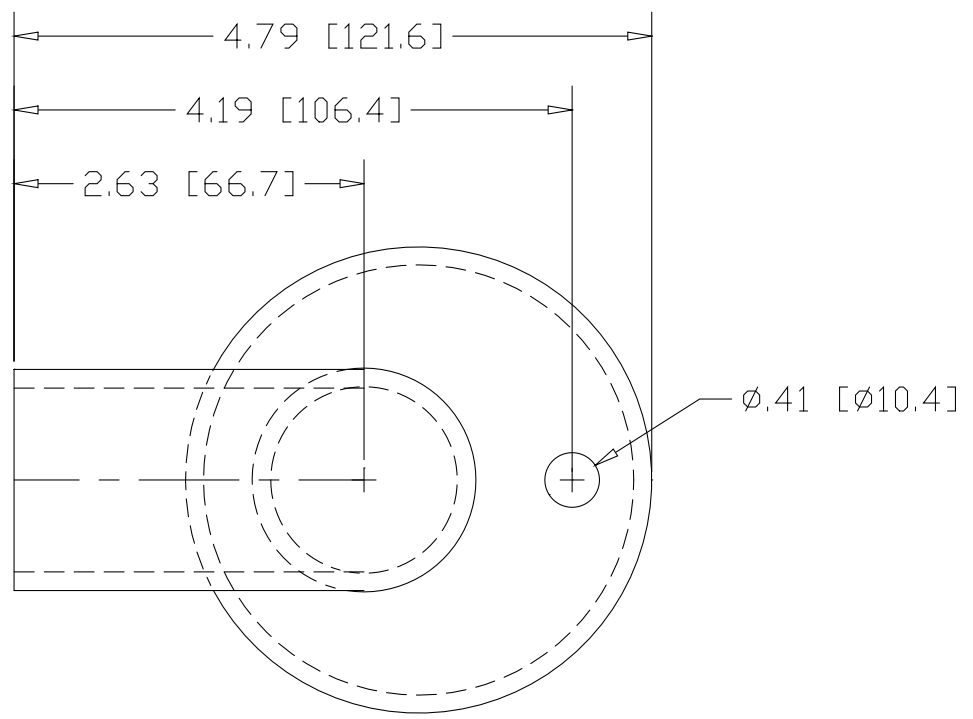


REV
SH
DWG NO 1100-1

REVISIONS			
REV	DESCRIPTION	DATE	APPROVED



INCHES [MILLIMETERS]

PART NAME		1-1/4" PIPE SIZE X 2.50CL WALL RETURN W/1 HOLE					
MATERIAL		ASTM A569 - STEEL					
DATE	6/4/93		THE WAGNER COMPANIES R & B WAGNER, INC. AND J. G. BRAUN CO.				
DRAWN BY	RJF						
FINISH	MILL						
SIZE	A	WEIGHT	1.04 LBS.	PART NUMBER	1100-1	REV	