

REV

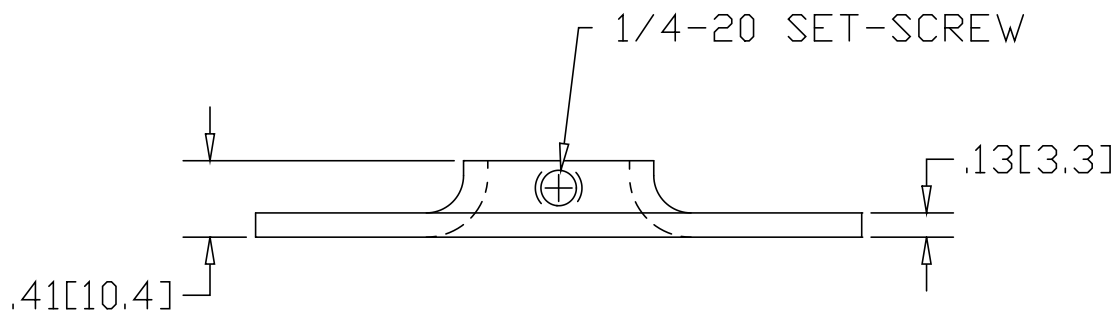
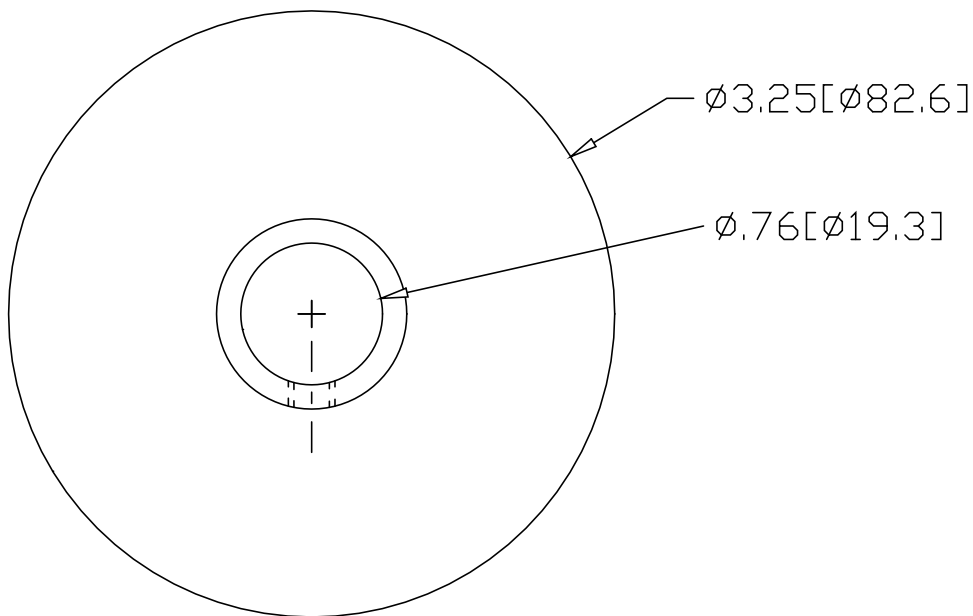
SH

DWG NO 613T

REV


REVISIONS

| REV | DESCRIPTION | DATE | APPROVED |
|-----|-------------|------|----------|
|-----|-------------|------|----------|



INCHES [MILLIMETERS]

| ALTERNATE MATERIAL | PART NUMBER |
|--|-------------|
| .125 (3003) ALUMINUM ASTM B209 | 653T |
| 10 GA. (304) STAINLESS STEEL ASTM A240 | 693T |

| | | | |
|--|---|---------------|------------------|
| PART NAME .75" O.D. TUBE FLAT BASE FLANGE WITH SET-SCREW | | | |
| MATERIAL 10 GA. HRP&D STEEL ASTM A-569 | | | |
| DATE 1/8/99 |  R & B WAGNER, INC. | | |
| DRAWN BY RJF | | | |
| FINISH MILL | SIZE A | WEIGHT .3 LBS | PART NUMBER 613T |
| | | | REV |