

NOTE:  
SEE SHEET 2 FOR SUPPLIER PRINT AND APPROVED DIMENSIONS

REVISION HISTORY			
REV	DESCRIPTION	DATE	APPROVED
1	REMOVED LOWER LEG REVISED AND REDRAWN IN CAD	1/23/2020	AHS

<b>TOLERANCE</b>  UNLESS OTHERWISE NOTED, TOLERANCES TO CONFORM TO ES.03.011	CUT LENGTH:	FINISH:	DESCRIPTION: Gasket, Plastic, Glass Rail, Insert For Top of PanelGrip Shoe Mouldings, Black	
		Mill	MATERIAL: z-Rubber	MATERIAL DESC: Rubber
	DEVELOPED LENGTH:	WEIGHT:	DATE: 1/23/2020	REV: 1
		0.10 lbmass	DRAWN BY: K. Turdo	PART NUMBER: GR9355
	TOOL NUMBER:		10600 W Brown Deer Rd Milwaukee, WI 53224 COLLABORATIVE METALWORKS <a href="http://www.wagnercompanies.com/">http://www.wagnercompanies.com/</a>	



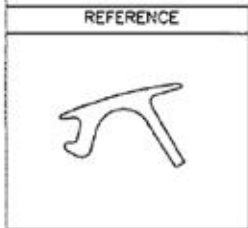
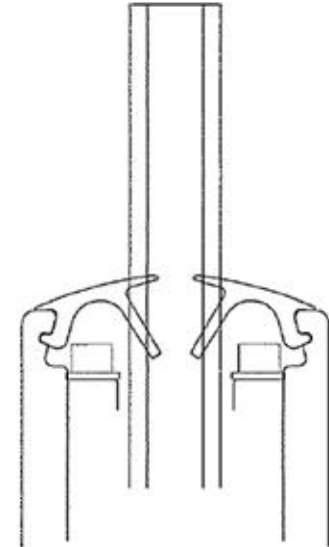
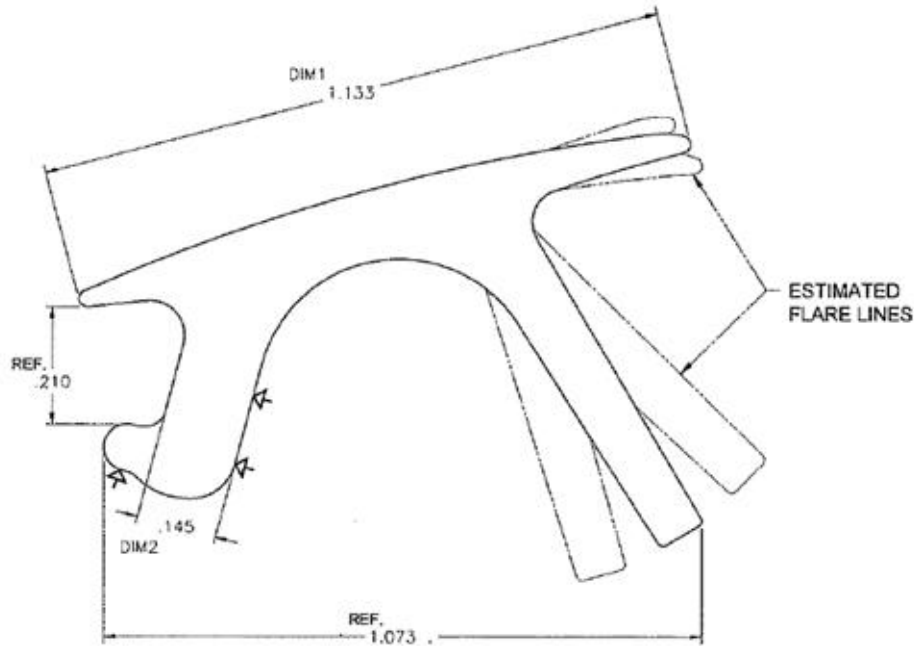
DENSE RUBBER		
ASPM CLASS 2   TABLE 1		
DIMENSIONS (in)   ISO-E 2015		
Above	Up To	Tolerance
0.000	0.050	±0.010
0.061	0.100	0.014
0.101	0.160	0.016
0.161	0.250	0.020
0.251	0.390	0.027
0.391	0.630	0.031
0.631	0.980	0.039
0.981	1.570	0.051
1.571	2.480	0.063
2.481	3.940	0.070

See 2.26 for dimensions over 250 inches.

I have inspected this drawing submitted by Cooper Standard ISG, and approve/validate the design, dimensions, and tolerances.

*[Signature]*      11-19-19  
 Signature      Date

NO	REVISIONS	DATE	BY	ECN#



**\*\*DO NOT SCALE DRAWING\*\***

**CooperStandard**  
INDUSTRIAL AND SPECIALTY

CONFIDENTIAL AND PROPRIETARY INFORMATION. THIS DRAWING AND ALL OF THE INFORMATION CONTAINED HEREIN IS OWNED SOLELY BY COOPER STANDARD ISG WHICH RESERVES ALL THE RIGHTS TO THIS INFORMATION, REPRODUCTION, PUBLICATION, DISTRIBUTION, AND/OR DISSEMINATION OF THIS INFORMATION, IN WHOLE, OR IN PART, IS PROHIBITED WITHOUT WRITTEN AUTHORIZATION FROM COOPER-STANDARD ISG.

DESIGN BY: LMW      DATE: 11/15/19

CUSTOMER: R&B WAGNER INC

PROGRAM / PROJECT: GR9355 REDESIGN

CUSTOMER P/N: ---

WIRING: BD-0-6370 | SCALE: 5:1      AREA: 243

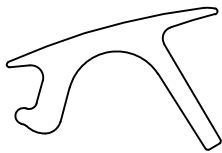
MATERIAL SPECIFICATION: ASTM D 2000

70 DURO DENSE EPDM (BLACK)

PROTECTIVE RFX: ---      DRAWING NO: 56373

SHEET 1 NO. 1

UNITS = INCH [MM]



<b>TOLERANCE</b>	CUT LENGTH:	FINISH:	DESCRIPTION: Gasket, Plastic, Glass Rail, Insert For Top of PanelGrip Shoe Mouldings, Black	
		Mill	MATERIAL:	MATERIAL DESC:
	UNLESS OTHERWISE NOTED, TOLERANCES TO CONFORM TO ES.03.011	DEVELOPED LENGTH:	z-Rubber	Rubber
		WEIGHT:	DATE: 1/23/2020	REV: 1
	TOOL NUMBER:	0.10 lbmass	DRAWN BY: K. Turdo	10600 W Brown Deer Rd Milwaukee, WI 53224 COLLABORATIVE METALWORKS <a href="http://www.wagnercompanies.com/">http://www.wagnercompanies.com/</a>
			PART NUMBER: GR9355	

