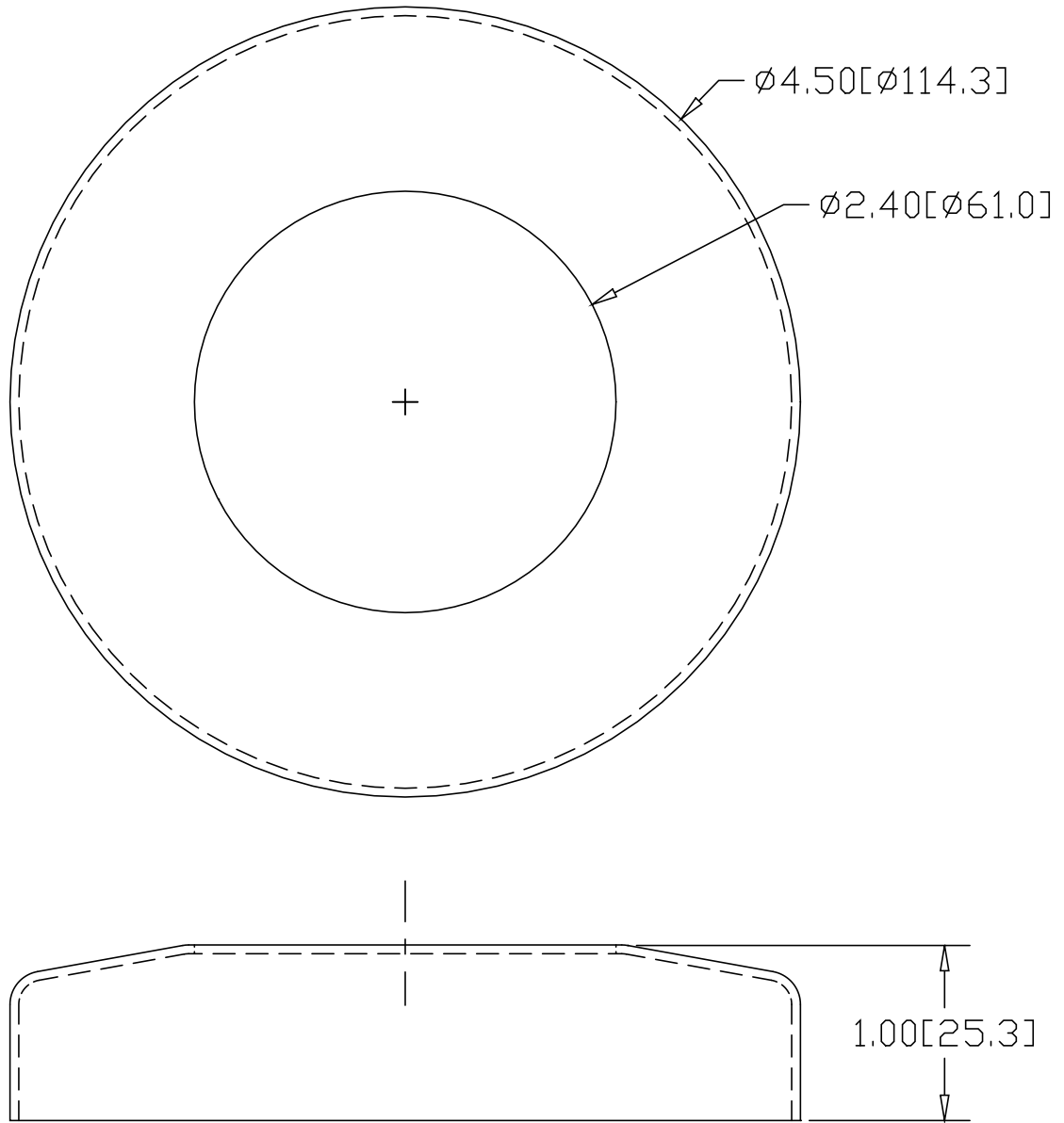


REV
SH
2085
DWG NO


REVISIONS			
REV	DESCRIPTION	DATE	APPROVED



INCHES [MILLIMETERS]

* USE WITH BASE
 #2085B IN STEEL
 #2086B IN ALUMINUM
 #2087B IN STAINLESS
 #2088B IN BRASS

ALTERNATE MATERIAL	PART NUMBER
.063 (3003) ALUMINUM ASTM B209	2086
18 GA. (304) STAINLESS STEEL A240	2087
.050 (280) MUNTZ METAL	2088

PART NAME		2" PIPE SNAP COVER	
MATERIAL		18 GA. CR STEEL ASTM A366	
DATE	4/3/97	 R & B WAGNER, INC.	
DRAWN BY	RJF		
FINISH	MILL	SIZE	A
		WEIGHT	.29 LBS
		PART NUMBER	2085
		REV	