

REV

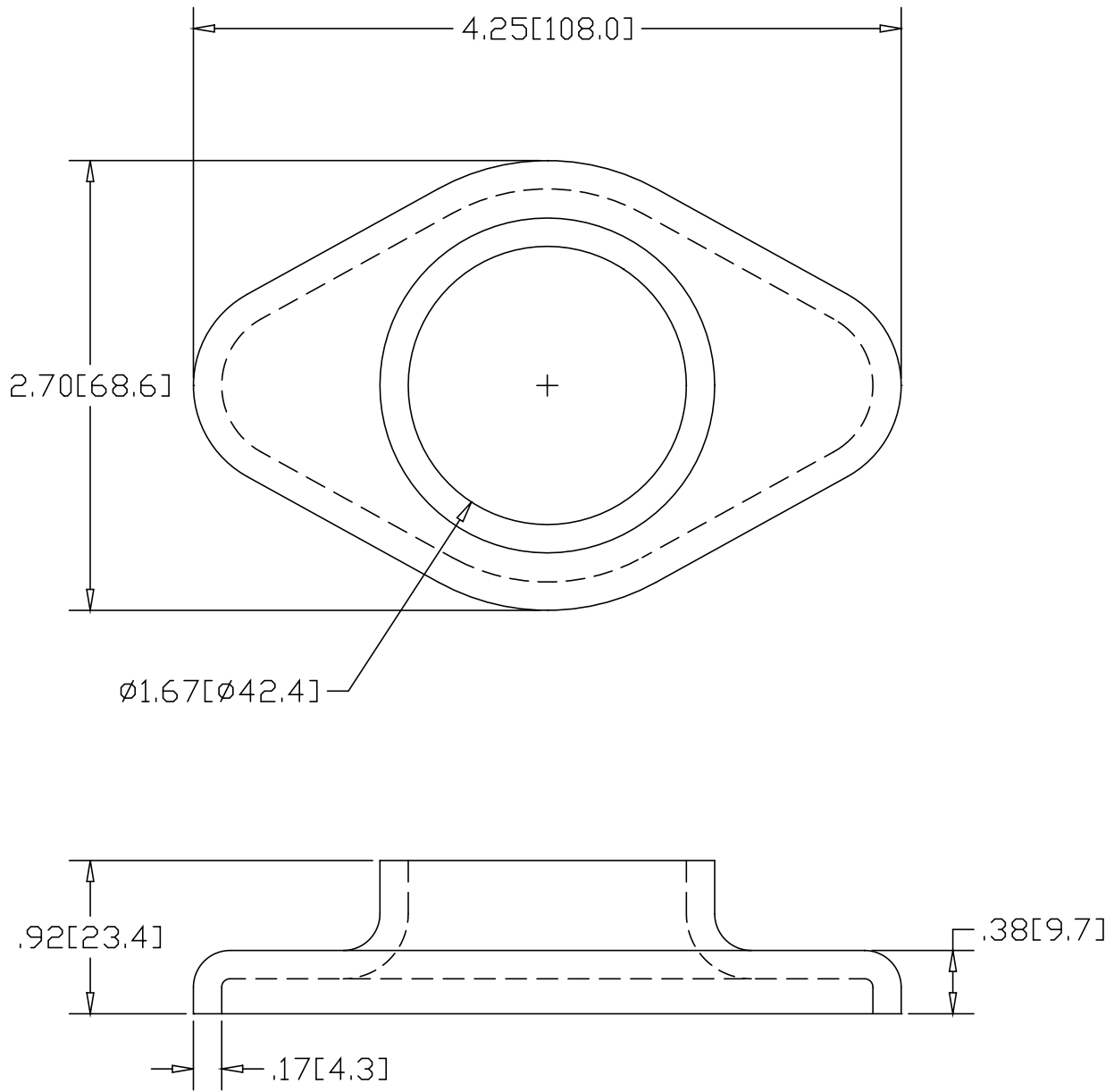
SH

DWG NO 4910

REV


REVISIONS

REV	DESCRIPTION	DATE	APPROVED
-----	-------------	------	----------



INCHES [MILLIMETERS]

ALTERNATE MATERIAL	PART NUMBER
.190 (3003) ALUMINUM ASTM B209	4940
7 GA. (304) STAINLESS STEEL ASTM A240	4970

PART NAME 1-1/4" PIPE SIZE TAPERED HEAVY BASE FLANGE			
MATERIAL 7 GA. HRP&D STEEL ASTM A569			
DATE 5/22/95		R & B WAGNER, INC.	
DRAWN BY RJF		FINISH MILL	SIZE A
		PART NUMBER 4910	REV