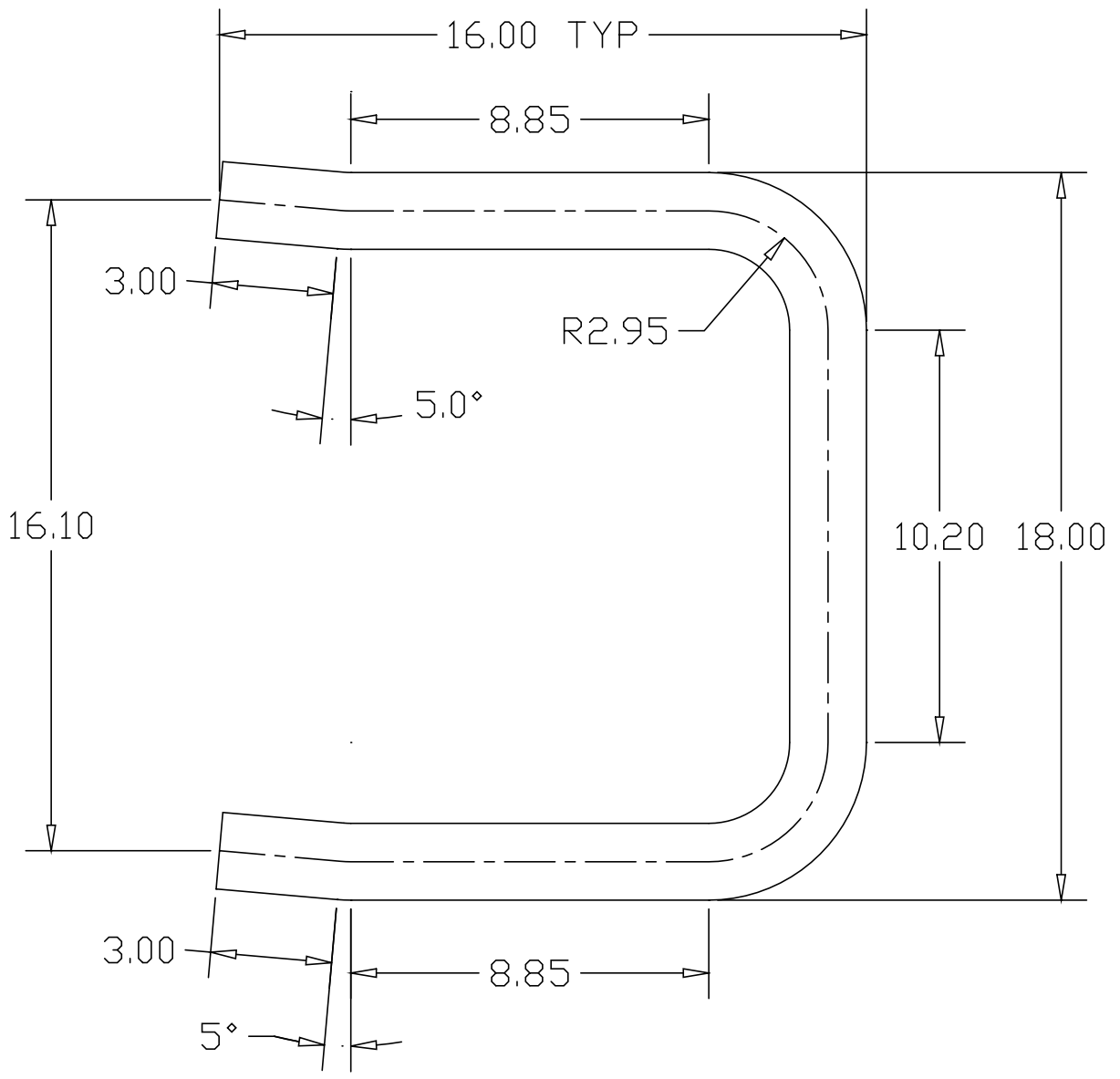



REV  
SH  
917  
DWG NO

REVISIONS			
REV	DESCRIPTION	DATE	APPROVED



DL = 43.70"  
INCHES [MILLIMETERS]

PART NAME		WAGNERAIL 5° RAIL END		
MATERIAL		1-1/2" SCH 40 ALUMINUM PIPE		
DATE	02/03/00	 <b>THE WAGNER COMPANIES</b> R & B WAGNER, INC. AND J. G. BRAUN CO.		
DRAWN BY	RJF			
FINISH	MILL			
SIZE	A	WEIGHT	PART NUMBER	917
			REV	