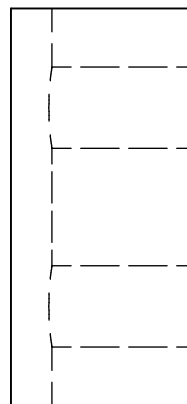
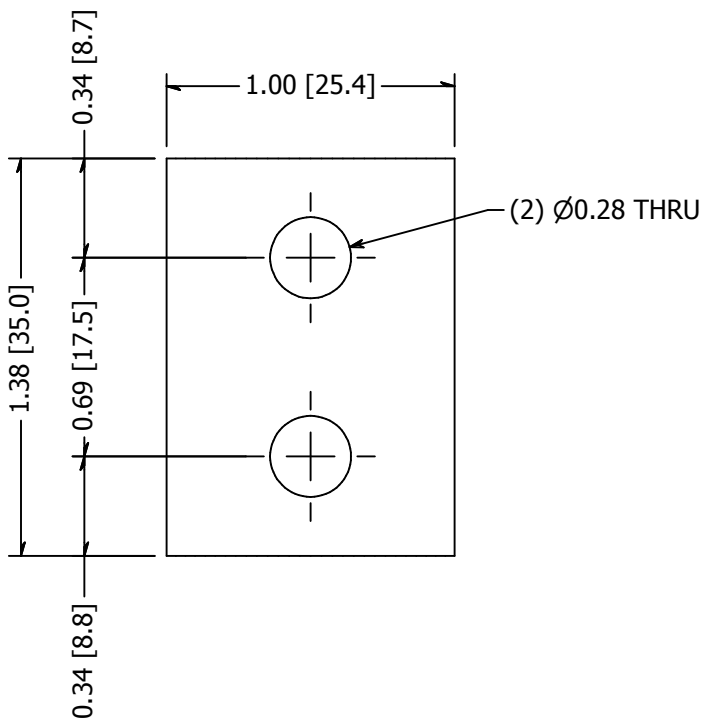
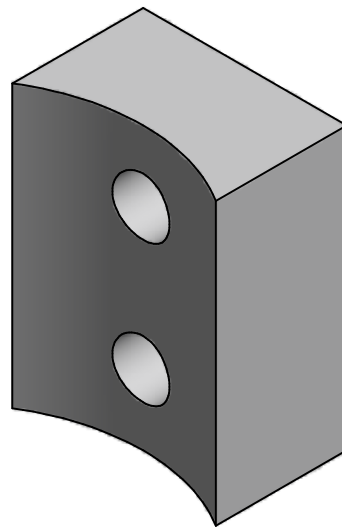
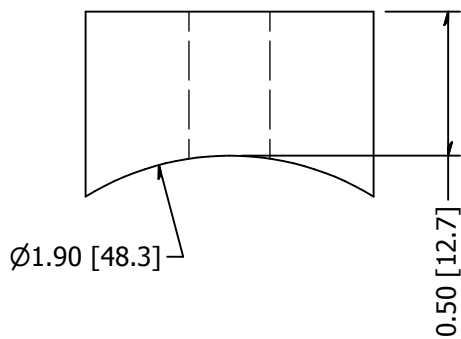


2

1


B

B



A

A

TOLERANCE X.X..... = ± .060 X.XX..... = ± .030 X.XXX..... = ± .010 XX°..... = ± 1° UNLESS OTHERWISE NOTED	MATERIAL:	DESCRIPTION:		
	316 Stainless	Point Fitting, Stainless Steel, 1.90" OD Adapter, Brushed Satin Finish, Grade 316, 0.50 Inch Glass		
	FINISH:	DATE:	REV:	
	#4	10/21/2014	-	
WEIGHT:	DRAWN BY:	ITEM NUMBER:		WAGNER COLLABORATIVE METAL WORKS
0.20 lbmass	T. Kolbach	LXFP30-1.90		

2

1

