

2



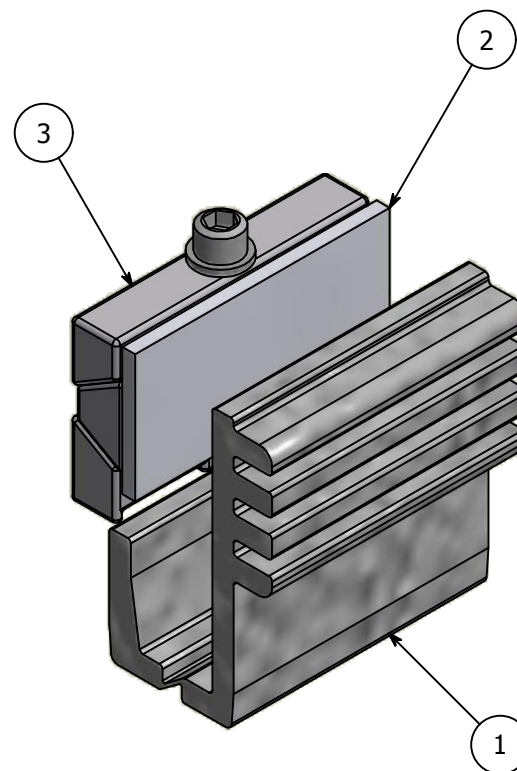
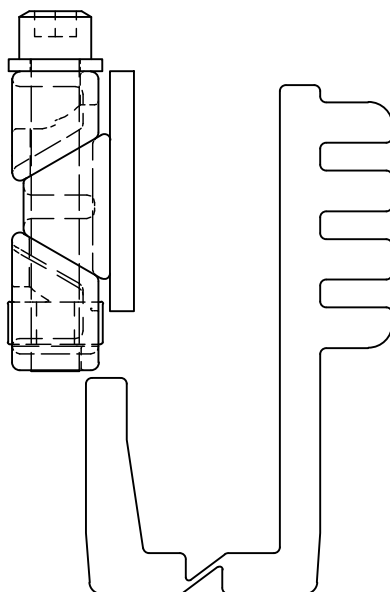
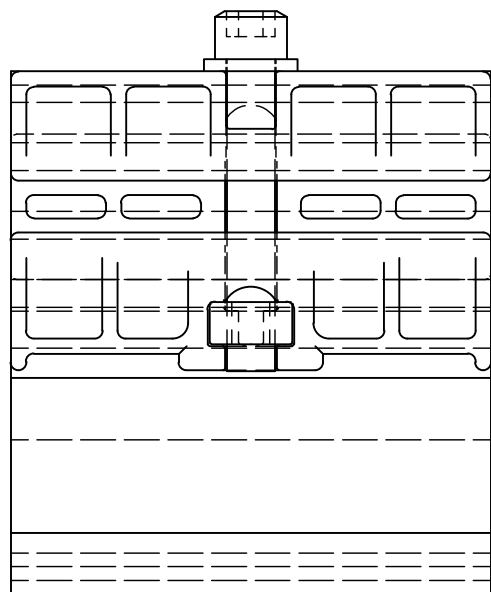
1

PARTS LIST

ITEM	QTY	PART NUMBER	DESCRIPTION
1	1	PGISO17	Light Gray Isolator, Plastic, Used with Panel Grip, 17.5mm Glass
2	1	PGISO.125	White Pad, Used with Panel Grip, 17.5mm Glass
3	1	N/A	Panel Grip Assembly

B

B



A

A

<b>TOLERANCE</b> X.X..... = ± .060 X.XX..... = ± .030 X.XXX..... = ± .010  XX°..... = ± 1°  UNLESS OTHERWISE NOTED	CUT LENGTH:	FINISH:	DESCRIPTION: PanelGrip 2 for 17.5 mm Glass, Dry Mount Mechanism, w/ Light Gray Isolator and White Pad	
	DEVELOPED LENGTH:	WEIGHT:	MATERIAL:	MATERIAL DESC:
	TOOL NUMBER:	N/A	DATE: 9/10/2015	REV: 1
			DRAWN BY: K. Bauserman	PART NUMBER: PG2417S



2



1

2

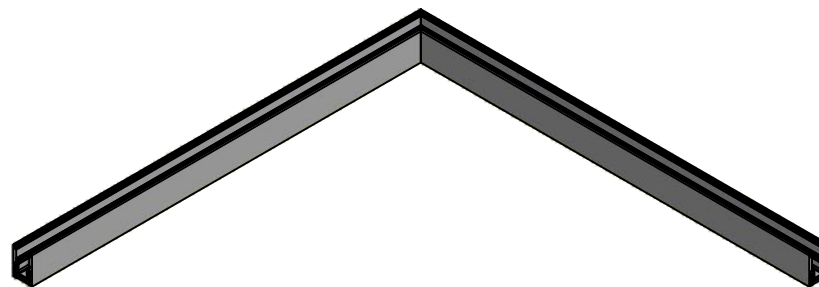
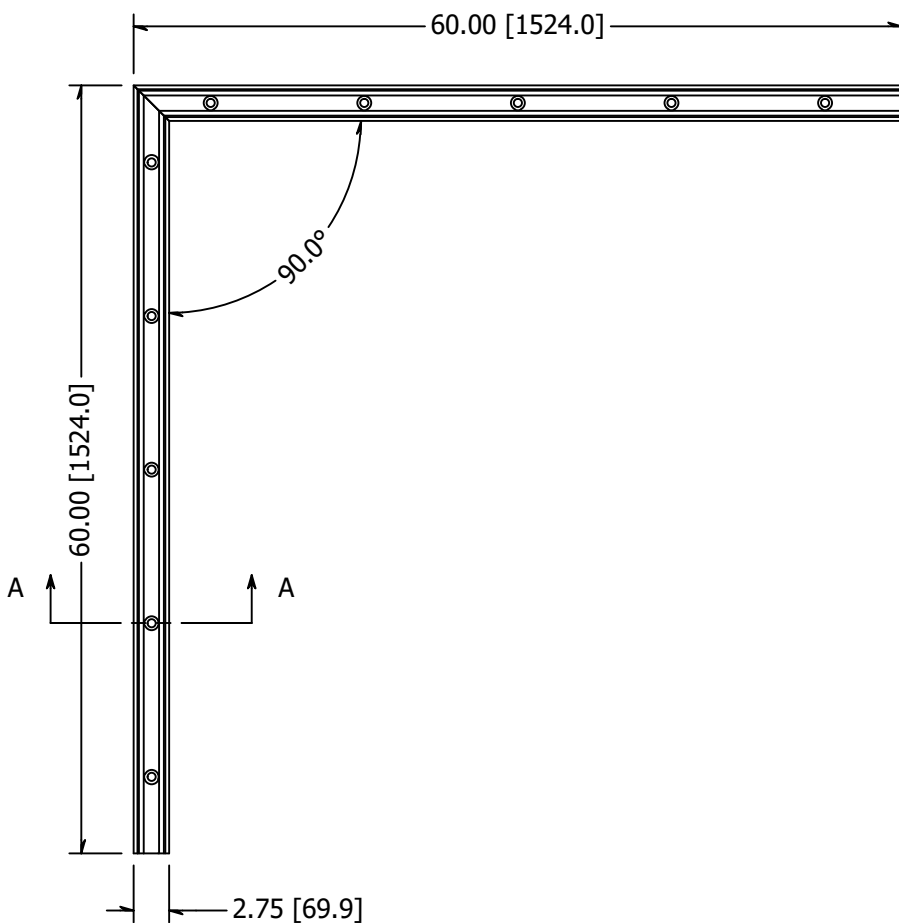


1

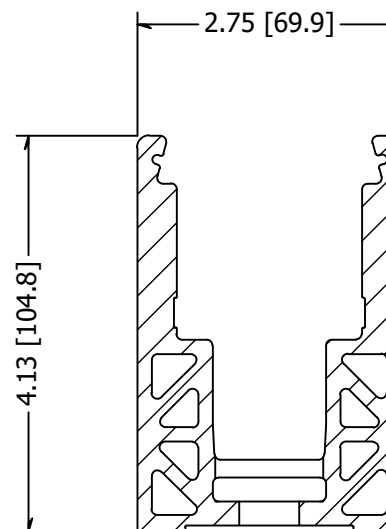
## PARTS LIST

ITEM	QTY	PART NUMBER	DESCRIPTION
1	1	GR2457HCBMKR	Shoe Moulding, AL, Corner, PanelGrip, 2-3/4 In Wide, 4-1/8 In High, Counterbored Holes
2	1	GR2457HCBMKL	Shoe Moulding, AL, Corner, PanelGrip, 2-3/4 In Wide, 4-1/8 In High, Counterbored Holes

B




B



SECTION A-A

A

A

<b>TOLERANCE</b>  UNLESS OTHERWISE NOTED, TOLERANCES TO CONFORM TO ES.03.011	MATERIAL: Aluminum	DESCRIPTION: Shoe Moulding, AL, Corner, PanelGrip, 2-3/4 In Wide, 4-1/8 In High, Counterbored Holes	
	FINISH: Mill	DATE: 6/17/2020	REV: -
	WEIGHT: 47.67 lbmass	DRAWN BY: T. Haapakoski	
		ITEM NUMBER: <b>GR2457HCBMK</b>	
		 10600 W Brown Deer Rd Milwaukee, WI 53224 <a href="http://www.wagnercompanies.com/">http://www.wagnercompanies.com/</a>	

2



1

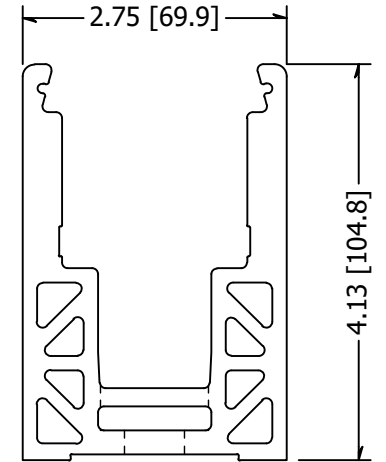
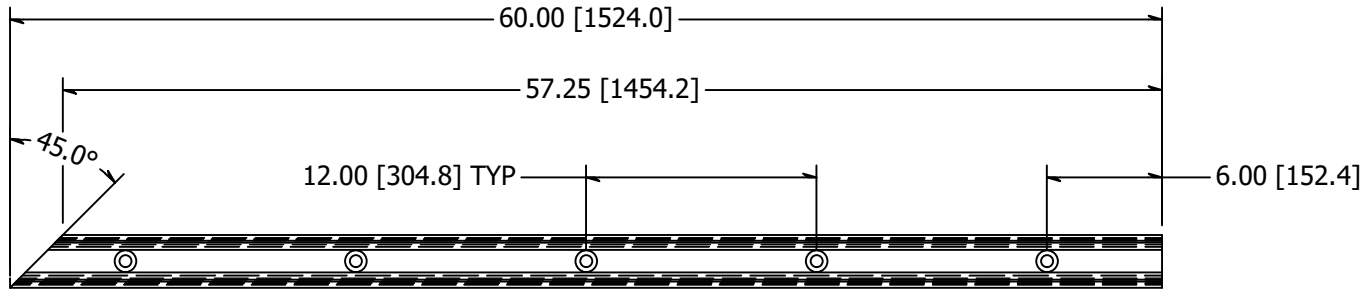
2



1

B

B



A

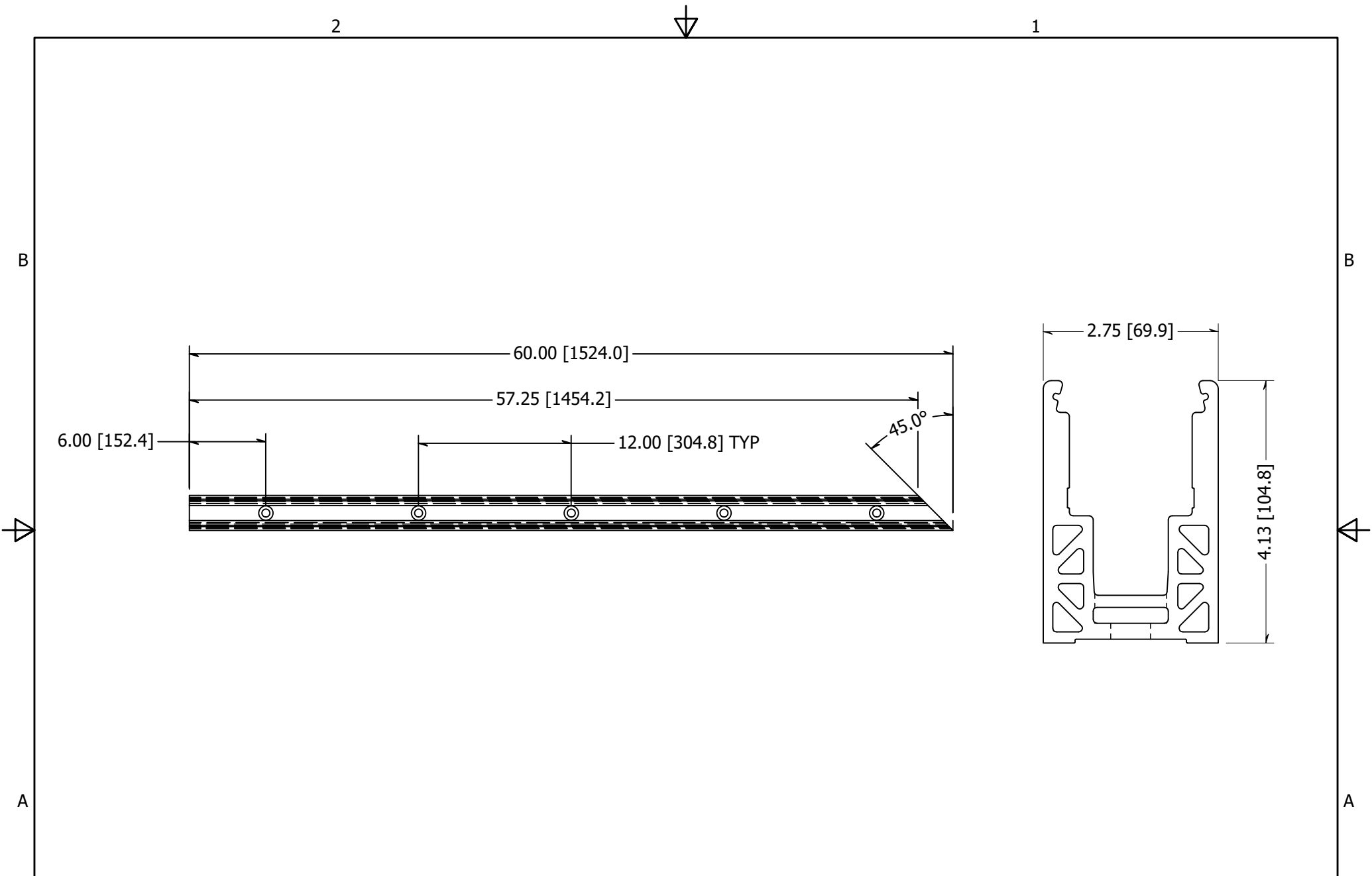
A

<b>TOLERANCE</b>  UNLESS OTHERWISE NOTED, TOLERANCES TO CONFORM TO ES.03.011	CUT LENGTH:	FINISH:	DESCRIPTION: Shoe Moulding, AL, Corner, PanelGrip, 2-3/4 In Wide, 4-1/8 In High, Counterbored Holes	
		Mill	MATERIAL:	MATERIAL DESC:
	DEVELOPED LENGTH:	WEIGHT:	Aluminum	
		23.84 lbmass	DATE: 6/17/2020	REV: -
TOOL NUMBER:		DRAWN BY: T. Haapakoski	<b>WAGNER</b> ™ 10600 W Brown Deer Rd Milwaukee, WI 53224 COLLABORATIVE METALWORKS <a href="http://www.wagnercompanies.com/">http://www.wagnercompanies.com/</a>	
		PART NUMBER: GR2457HCBMKL		

2



1



<b>TOLERANCE</b>  UNLESS OTHERWISE NOTED, TOLERANCES TO CONFORM TO ES.03.011	CUT LENGTH:	FINISH:	DESCRIPTION: Shoe Moulding, AL, Corner, PanelGrip, 2-3/4 In Wide, 4-1/8 In High, Counterbored Holes	
	DEVELOPED LENGTH:	WEIGHT:	MATERIAL:	MATERIAL DESC:
	TOOL NUMBER:		DATE:	REV:
			DRAWN BY:	
			PART NUMBER: GR2457HCBMKR	


**WAGNER**™  
 10600 W Brown Deer Rd  
 Milwaukee, WI 53224  
 COLLABORATIVE METALWORKS <http://www.wagnercompanies.com/>