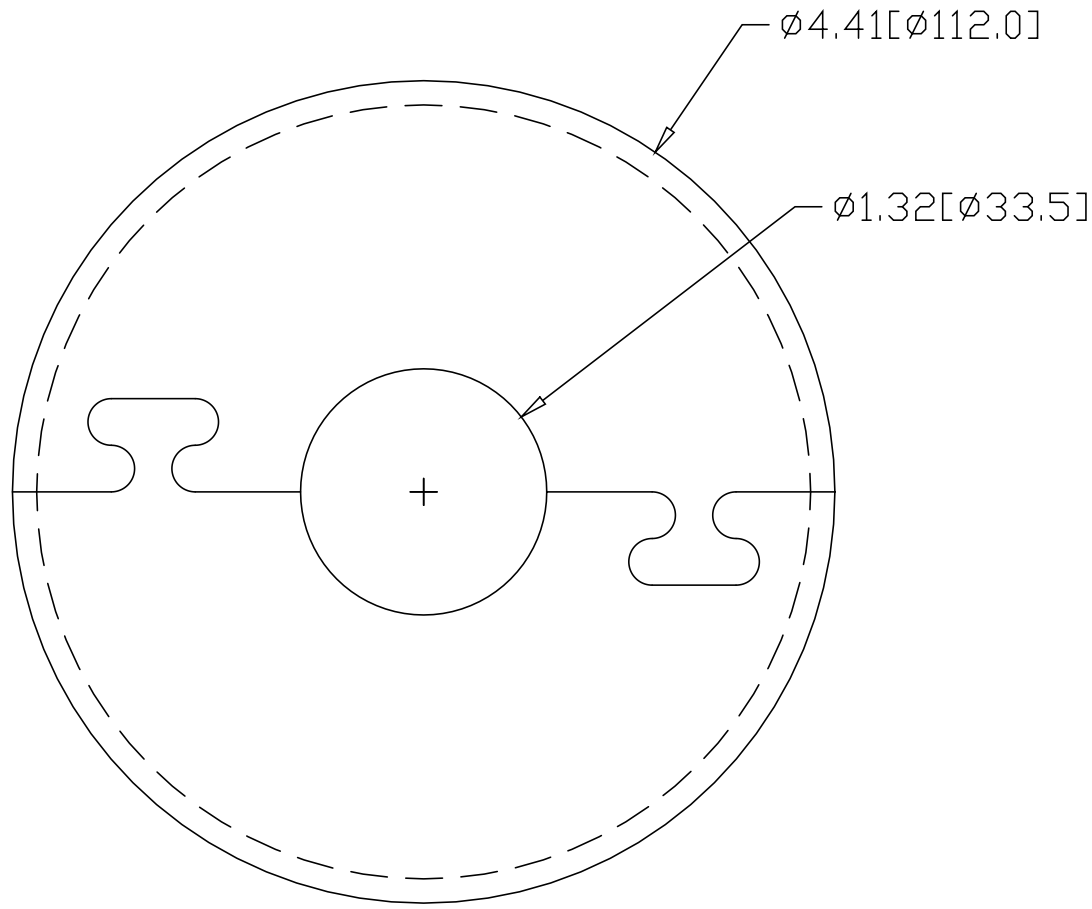



REV
SH
26401
DWG NO

REVISIONS			
REV	DESCRIPTION	DATE	APPROVED



INCHES [MILLIMETERS]

ALTERNATE MATERIAL	PART NUMBER
.125 (3003) ALUMINUM ASTM B209	26411
10 GA. (304) STAINLESS STEEL ASTM A240	26421

PART NAME		1" PIPE PUZZLE-LOCK SPLIT FLANGE			
MATERIAL		10 GA. HRP&O STEEL ASTM A-569			
DATE	11/15/94	 R & B WAGNER, INC.			
DRAWN BY	RJF				
FINISH	MILL	SIZE	WEIGHT	PART NUMBER	REV
		A	.63 LBS	26401	