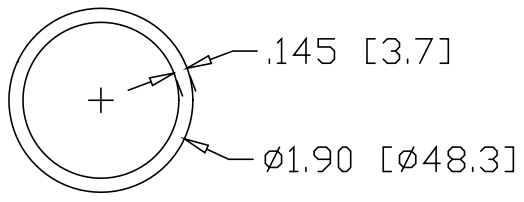
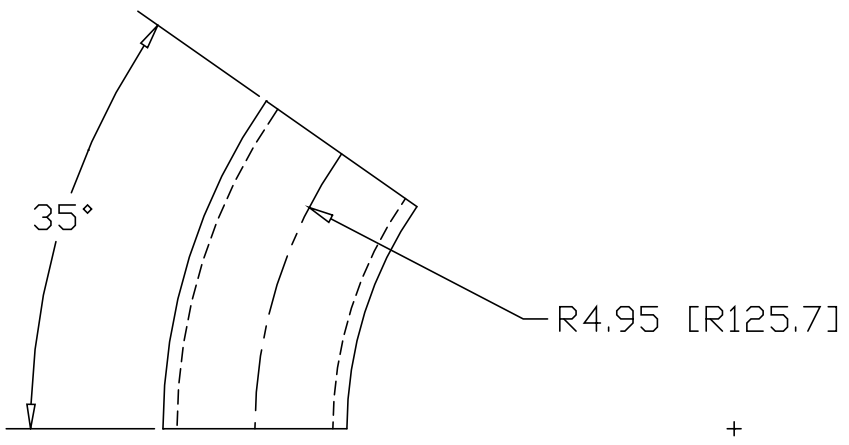



REV
SH
5661
DWG NO

REVISIONS			
REV	DESCRIPTION	DATE	APPROVED



INCHES [MILLIMETERS]

ALTERNATE MATERIAL	PART NUMBER
1-1/2" SCH 40 (6063) ALUMINUM PIPE	5671
1-1/2" SCH 40 (304) STAINLESS STEEL PIPE	5681

PART NAME				1-1/2" PIPE SIZE 35° ELL X 4" I.R.	
MATERIAL				1-1/2" SCH 40 A53 STEEL PIPE	
DATE	4/5/96		 R & B WAGNER, INC.		
DRAWN BY	RJF				
FINISH	MILL				
SIZE	WEIGHT	PART NUMBER	REV		
A	.68 LBS	5661			