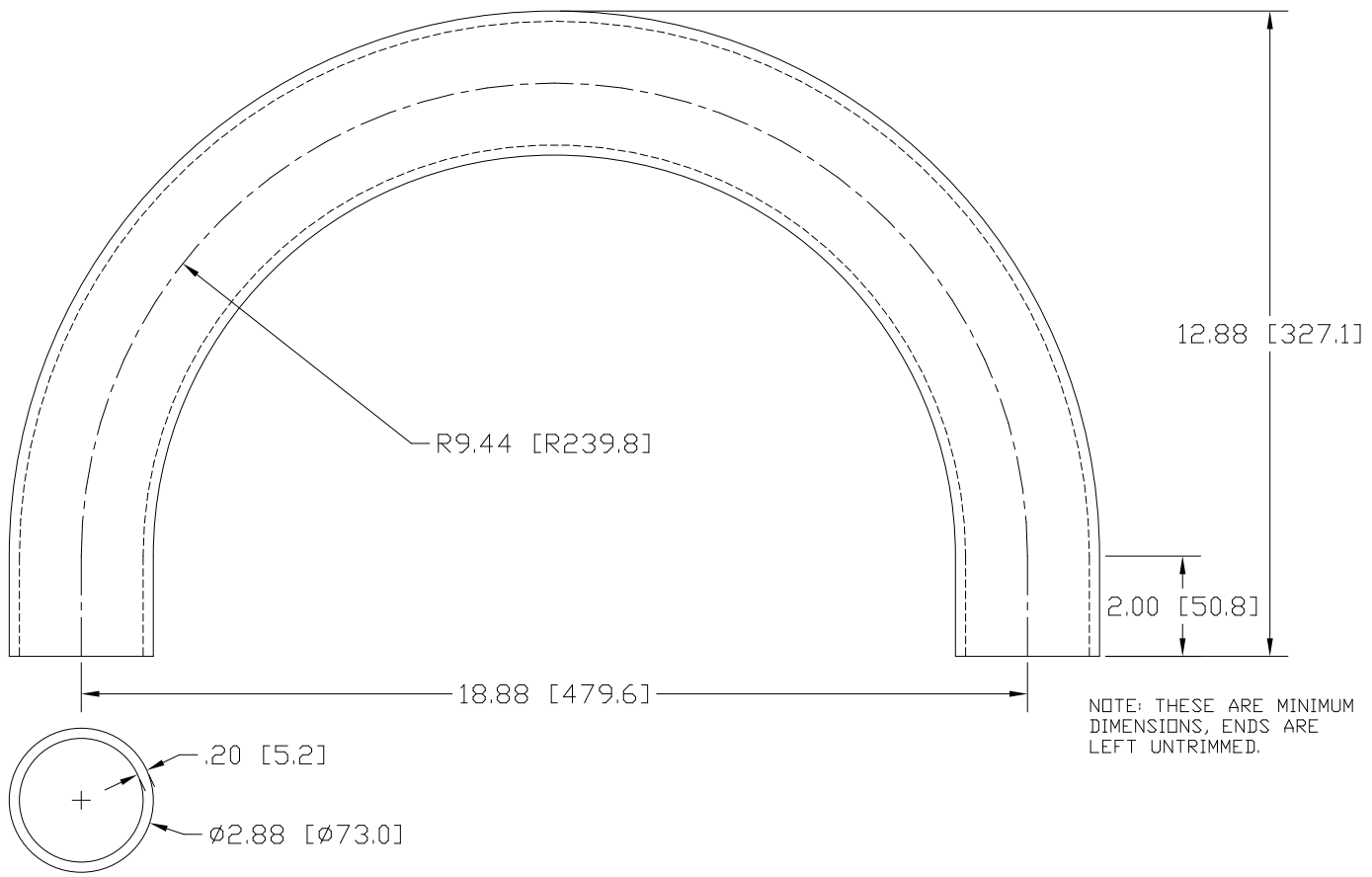


REV
SH
DWG NO 8155B


REVISIONS			
REV	DESCRIPTION	DATE	APPROVED



NOTE: THESE ARE MINIMUM DIMENSIONS, ENDS ARE LEFT UNTRIMMED.

INCHES [MILLIMETERS]

ALTERNATE MATERIAL	PART NUMBER
2-1/2" SCH 40 (6063) ALUMINUM PIPE	8169B
2-1/2" SCH 40 (304) STAINLESS STEEL PIPE	8183B

PART NAME 2-1/2" PIPE SIZE 180° ELL X 8" I.R. W/ (2) 2" TANGENTS				
MATERIAL 2-1/2" SCH 40 A53 STEEL PIPE				
DATE 7/31/01	 THE WAGNER COMPANIES R & B WAGNER, INC. AND J. G. BRAUN CO.			
DRAWN BY JAH		SIZE A	WEIGHT 16.15 LBS	PART NUMBER 8155B
FINISH MILL				REV