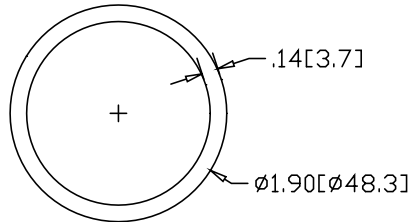
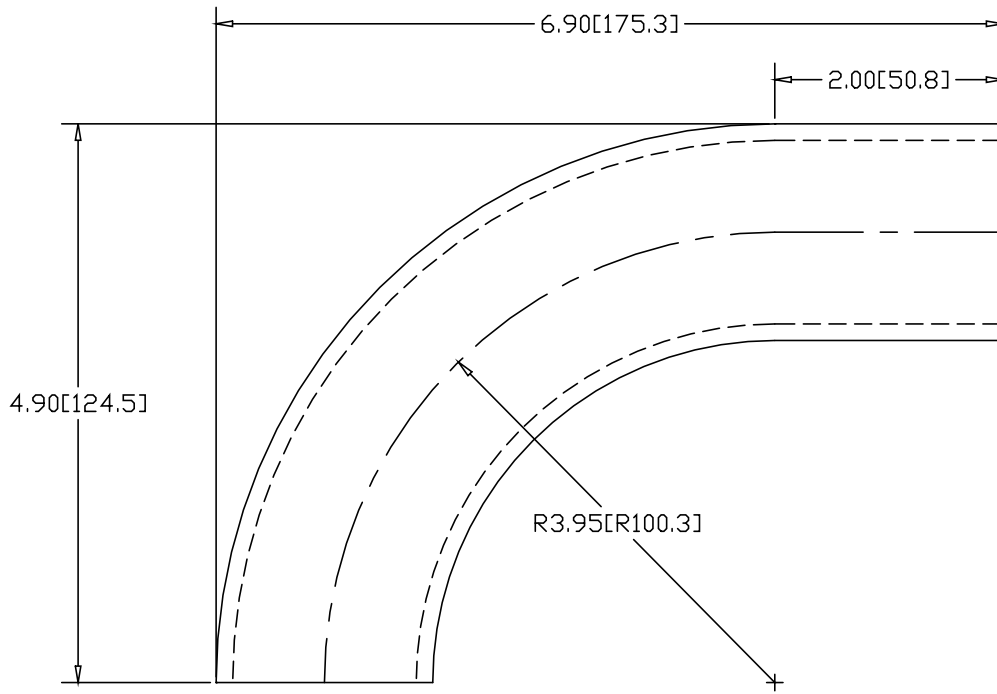



REV  
SH  
343-3  
DWG NO

REVISIONS			
REV	DESCRIPTION	DATE	APPROVED



INCHES [MILLIMETERS]

ALTERNATE MATERIAL	PART NUMBER
1-1/2" SCH 40 (6063) ALUMINUM PIPE	367-3
1-1/2" SCH 40 (304) STAINLESS STEEL PIPE	391-1

PART NAME 1-1/2" PIPE SIZE 90° ELL X 3" I.R. W/(1) 2" TANGENT			
MATERIAL 1-1/2" SCH 40 STEEL PIPE			
DATE 9/12/95	 <b>R &amp; B WAGNER, INC.</b>		
DRAWN BY RJF			
FINISH MILL	SIZE A	WEIGHT 1.8 LBS	PART NUMBER 343-3
			REV