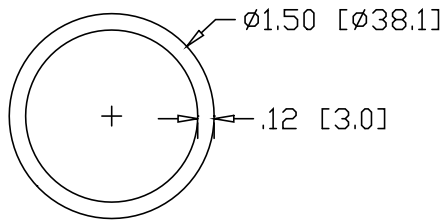
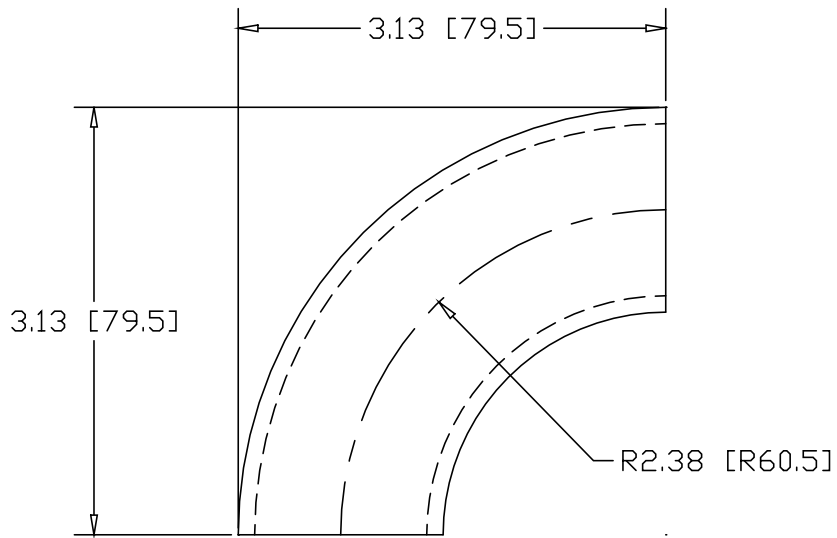



REV
SH
DWG NO 6906

REVISIONS			
REV	DESCRIPTION	DATE	APPROVED



INCHES [MILLIMETERS]

ALTERNATE MATERIAL	PART NUMBER
1.50" O.D. X .125W (6061-T1) ALUMINUM TUBE	6922
1.50" O.D. X .120W (304) STAINLESS STEEL TUBE	6938

PART NAME		1.50" O.D. TUBE 90° ELL X 2.38" CLR					
MATERIAL		1.50" O.D. X .120W STEEL TUBE					
DATE	9/12/00	 R & B WAGNER, INC.					
DRAWN BY	RJF						
FINISH	MILL						
SIZE	A	WEIGHT	.56 LBS	PART NUMBER	6906	REV	