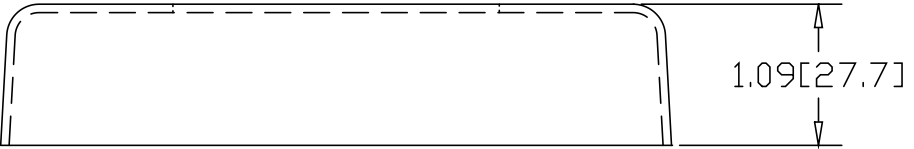
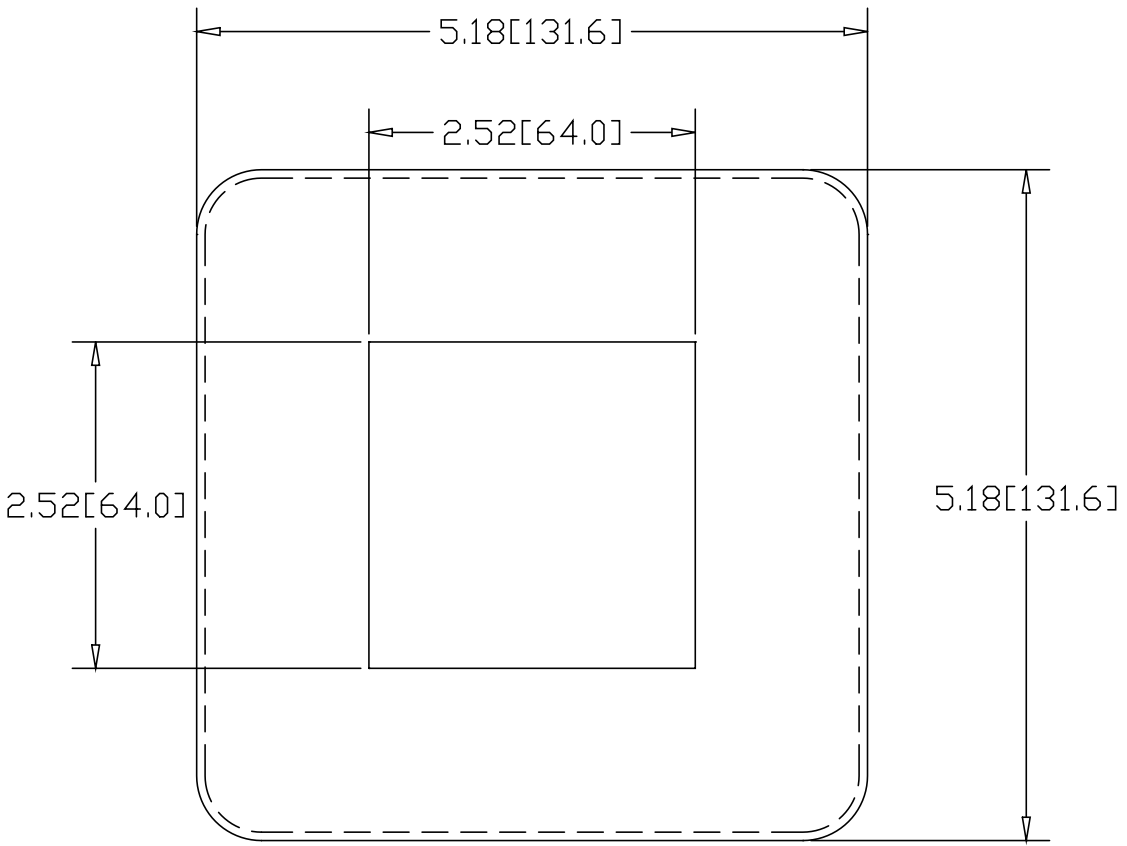


REV  
SH  
88057  
DWG NO

REVISIONS			
REV	DESCRIPTION	DATE	APPROVED



INCHES [MILLIMETERS]

ALTERNATE MATERIAL	PART NUMBER
.063 (3003) ALUMINUM ASTM B-209	88027
16 GA. (304) STAINLESS STEEL ASTM A240	88097

PART NAME				2.50" SQUARE TUBE HFB FLANGE	
MATERIAL				16 GA. CR STEEL ASTM A366	
DATE	6/20/95				
DRAWN BY	RJF				
FINISH	MILL				
SIZE	A	WEIGHT	.57 LBS	PART NUMBER	88057
				REV	