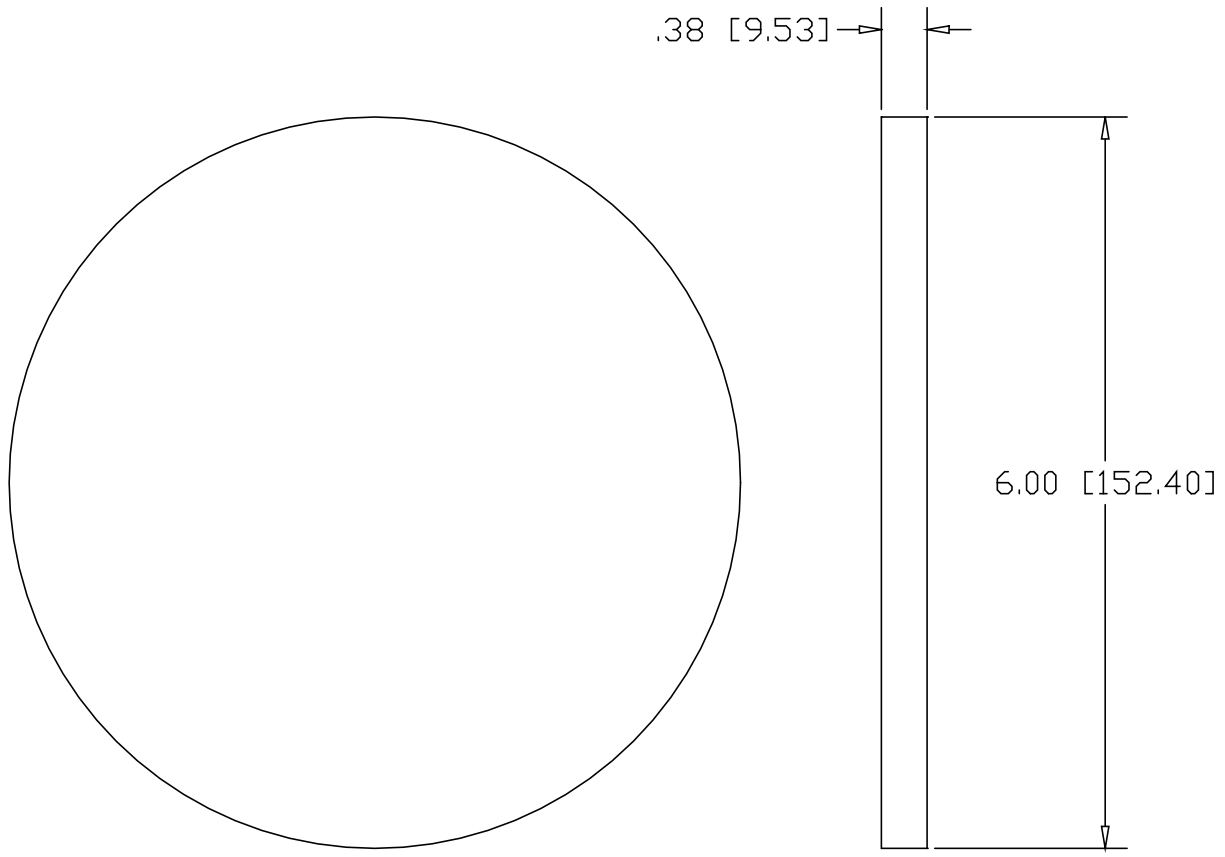



REV  
SH  
DWG NO D506

REVISIONS			
REV	DESCRIPTION	DATE	APPROVED



PART NAME HEAVY ROUND STEEL DISK			
MATERIAL .38" STEEL PLATE A36			
DATE 10/13/03		<b>THE WAGNER COMPANIES</b> R & B WAGNER, INC. AND J. G. BRAUN CO.	
DRAWN BY DGP			
FINISH MILL	SIZE A	WEIGHT 3.10 LBS	PART NUMBER D506
			REV