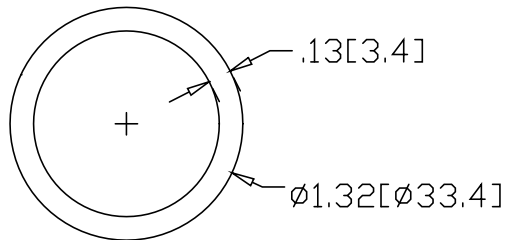
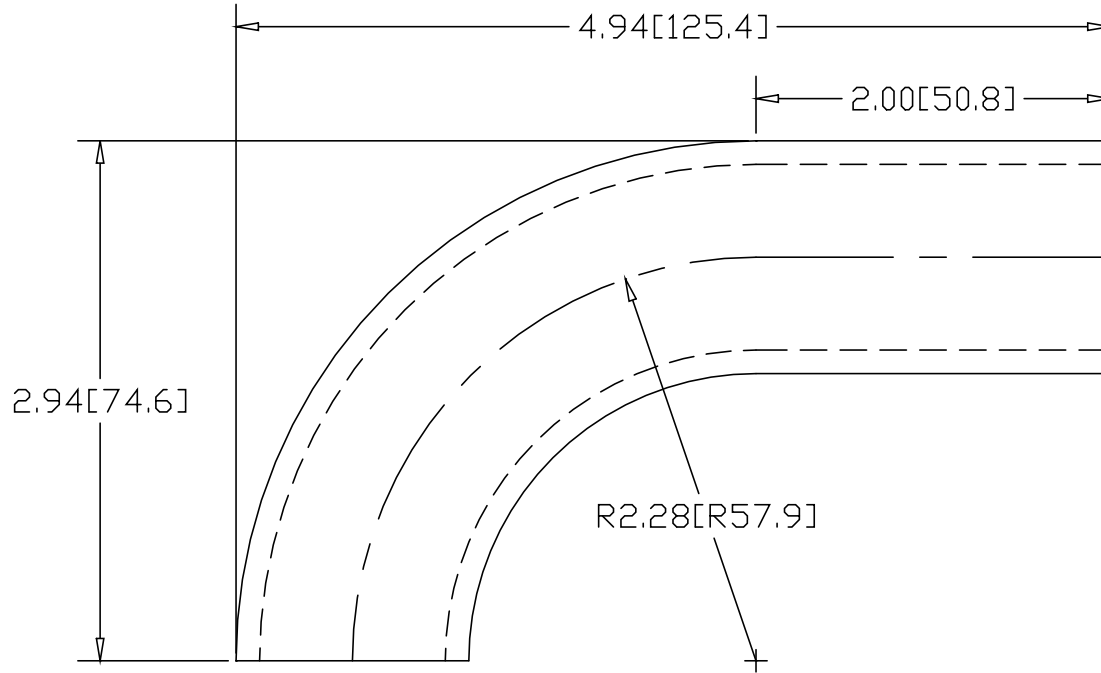



REV
SH
4508
DWG NO

| REVISIONS | | | |
|-----------|-------------|------|----------|
| REV | DESCRIPTION | DATE | APPROVED |



INCHES [MILLIMETERS]

| ALTERNATE MATERIAL | PART NUMBER |
|--------------------------------------|-------------|
| 1" SCH 40 (6063) ALUMINUM PIPE | 4522 |
| 1" SCH 40 (304) STAINLESS STEEL PIPE | 4536 |

| | | | | |
|---|---|----------------|------------------|-----|
| PART NAME 1" PIPE SIZE 90° ELL X 1-5/8" I.R. W/(1) 2" TANGENT | | | | |
| MATERIAL 1" SCH 40 A53 STEEL PIPE | | | | |
| DATE 8/18/95 |  R & B WAGNER, INC. | | | |
| DRAWN BY RJF | | | | |
| FINISH MILL | SIZE A | WEIGHT .70 LBS | PART NUMBER 4508 | REV |