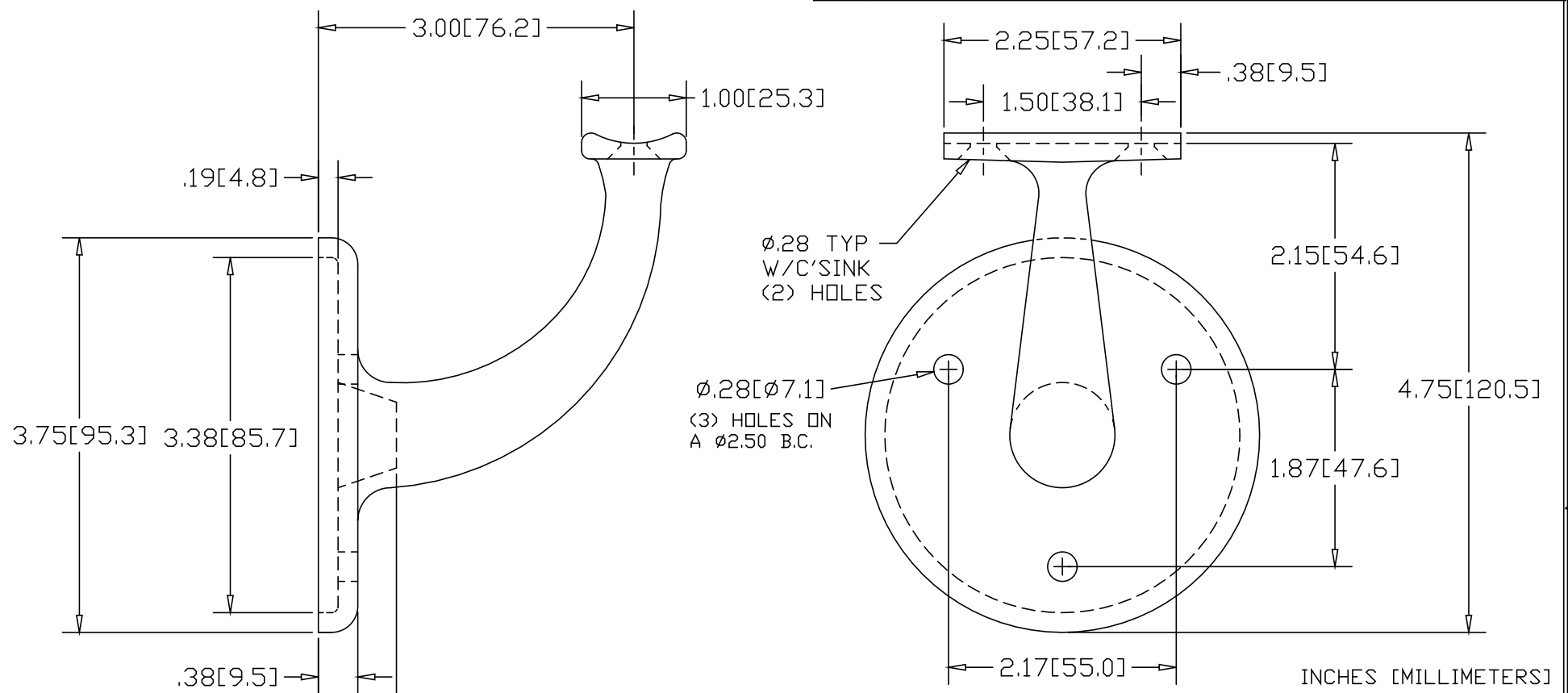



REVISIONS			
REV	DESCRIPTION	DATE	APPROVED



ALTERNATE MATERIAL	PART NO.
ALMAG 535.2 ALUMINUM ASTM B26	1719 ANODIZED 1719AN
(304) STAINLESS STEEL ASTM A743	1733
(424) BRONZE ASTM C86300	1744
(405.1) BRASS ASTM C85800	1705BRS

PART NAME		3" CAST HANDRAIL BRACKET W/ (3) MOUNTING HOLES		
MATERIAL		MALLEABLE IRON CASTING ASTM A47-74		
DATE	10/31/95	 THE WAGNER COMPANIES R & B WAGNER, INC. AND J. G. BRAUN CO.		
DRAWN BY	RJF			
FINISH	SHOT BLASTED	SIZE	WEIGHT (IN STEEL)	PART NUMBER
*SEE NOTE		A	1.48 LBS	1705
				REV

*NOTE: BRACKETS IN ALUMINUM, STAINLESS, BRONZE AND BRASS HAVE #4 SATIN FINISH.