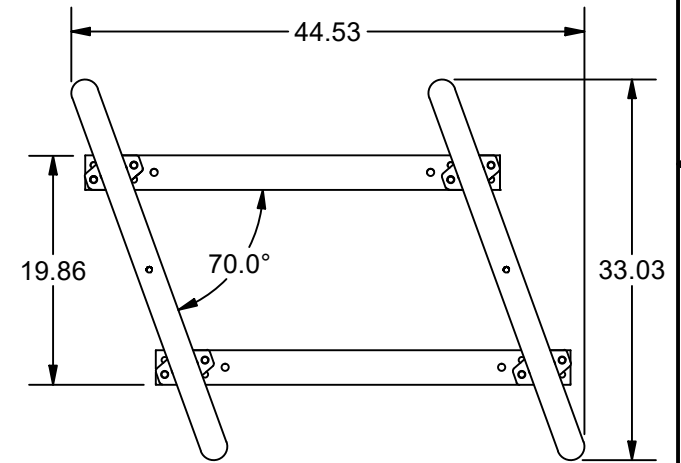
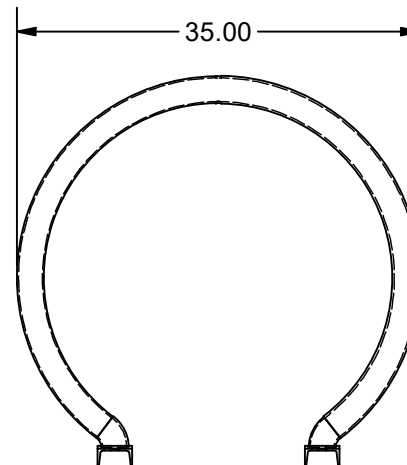
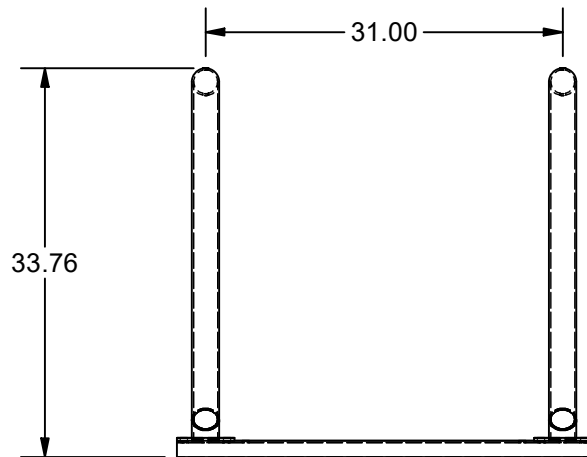
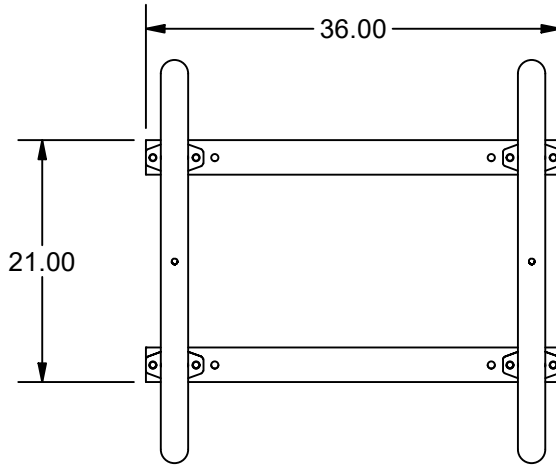




Parts List

ITEM	QTY	PART NUMBER	DESCRIPTION
1	2	BRRAIL2	BIKE RACK RAIL, 2 POSITION
2	2	BRC	BIKE RACK, CIRCLE



OPTIONAL ANGLE MOUNT, LEFT OR RIGHT.

NAME		BIKE RACK, DOUBLE CIRCLE		
MATERIAL		2" SCH 40 STEEL PIPE		
DATE	6/2/2021	COLLABORATIVE METAL WORKS		
DRAWN	RJF			
FINISH	HOT DIP GALVANIZED	SIZE	WEIGHT	PART NUMBER
		A	74.71 LBS	BRC-2
				REV

