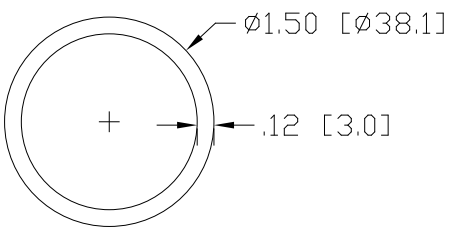
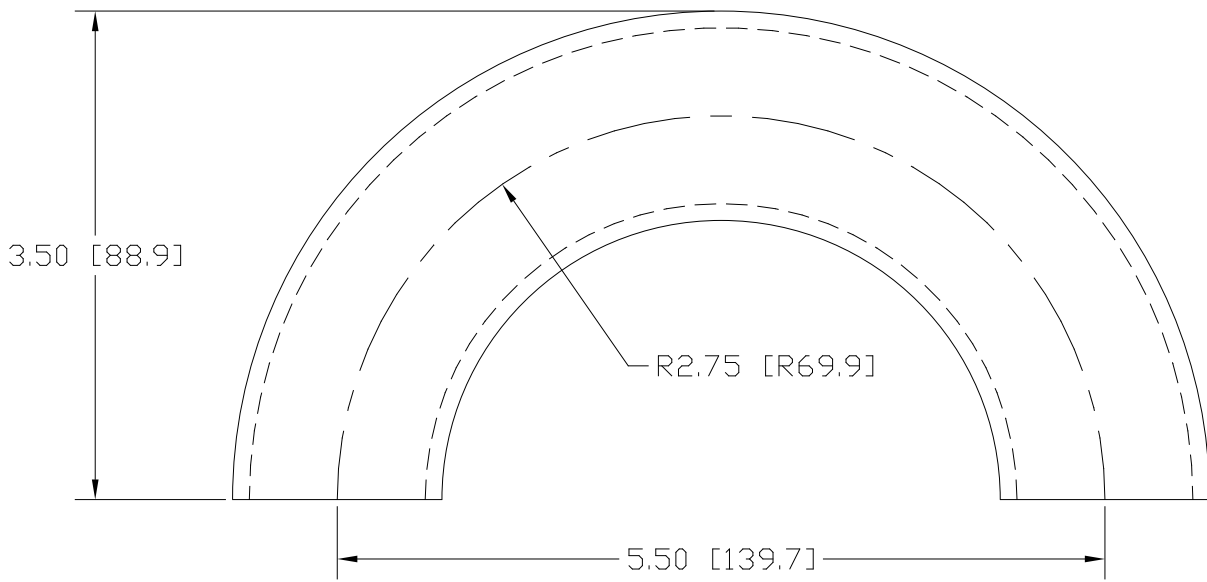



REV  
SH  
DWG NO 7912.120

REVISIONS			
REV	DESCRIPTION	DATE	APPROVED



INCHES [MILLIMETERS]

ALTERNATE MATERIAL	PART NUMBER
1.50" O.D. X .125W (6061-T1) ALUMINUM TUBE	7928
1.50" O.D. X .120W (304) STAINLESS STEEL TUBE	7944.120

PART NAME		1.50" O.D. TUBE 180° ELL X 2.75" CLR					
MATERIAL		1.50" O.D. X .120W STEEL TUBE					
DATE	8/15/00	 <b>THE WAGNER COMPANIES</b> R & B WAGNER, INC. AND J. G. BRAUN CO.					
DRAWN BY	RJF						
FINISH	MILL						
SIZE	A	WEIGHT	1.28 LBS	PART NUMBER	7912.120	REV	