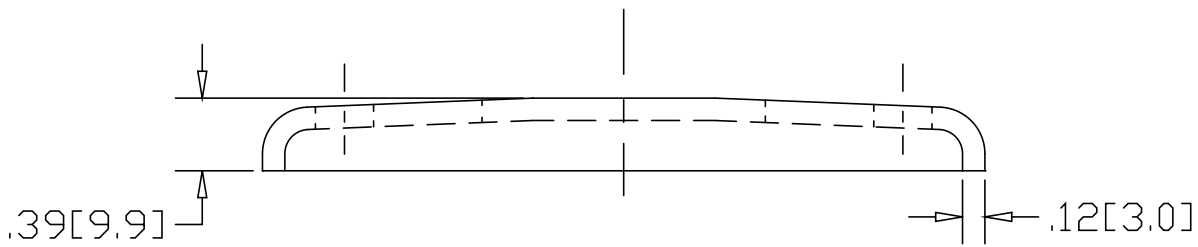
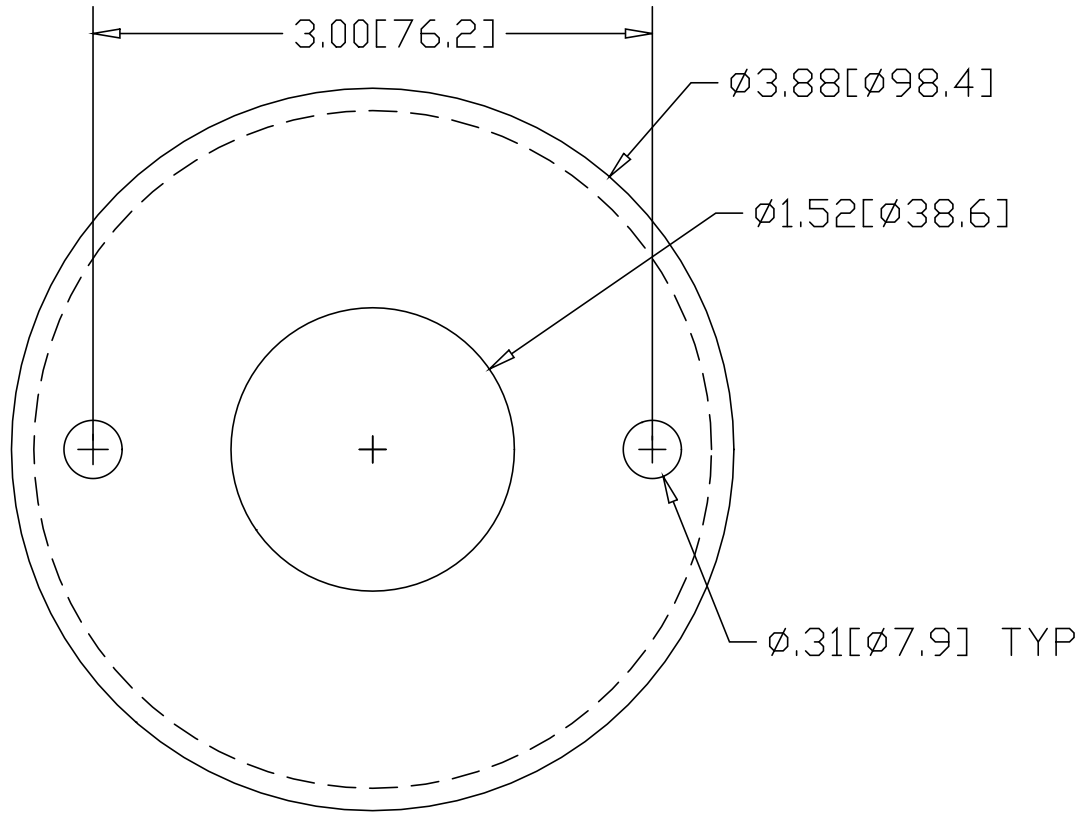


REV
SH
2535T
DWG NO


REVISIONS			
REV	DESCRIPTION	DATE	APPROVED



INCHES [MILLIMETERS]

*USE WITH ANCHOR PLATE
#B1432 IN STEEL
#PLB1432 ZINC PLATED STEEL
#B1532 IN STAINLESS STEEL

ALTERNATE MATERIAL	PART NUMBER
.125 (3003) ALUMINUM ASTM B209	2575T
10 GA. (304) STAINLESS STEEL ASTM A240	2615T

PART NAME		1.50" OD TUBE HEAVY FLUSH BASE FLANGE W/(2) HOLES			
MATERIAL		10 GA. HRP&D STEEL ASTM A569			
DATE	3/31/99	 R & B WAGNER, INC.			
DRAWN BY	RJF				
FINISH	MILL	SIZE	WEIGHT	PART NUMBER	REV
		A	.5 LBS	2535T	