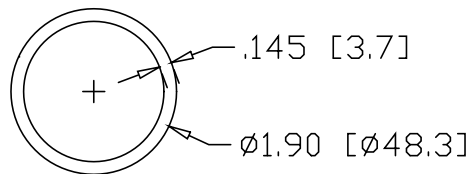
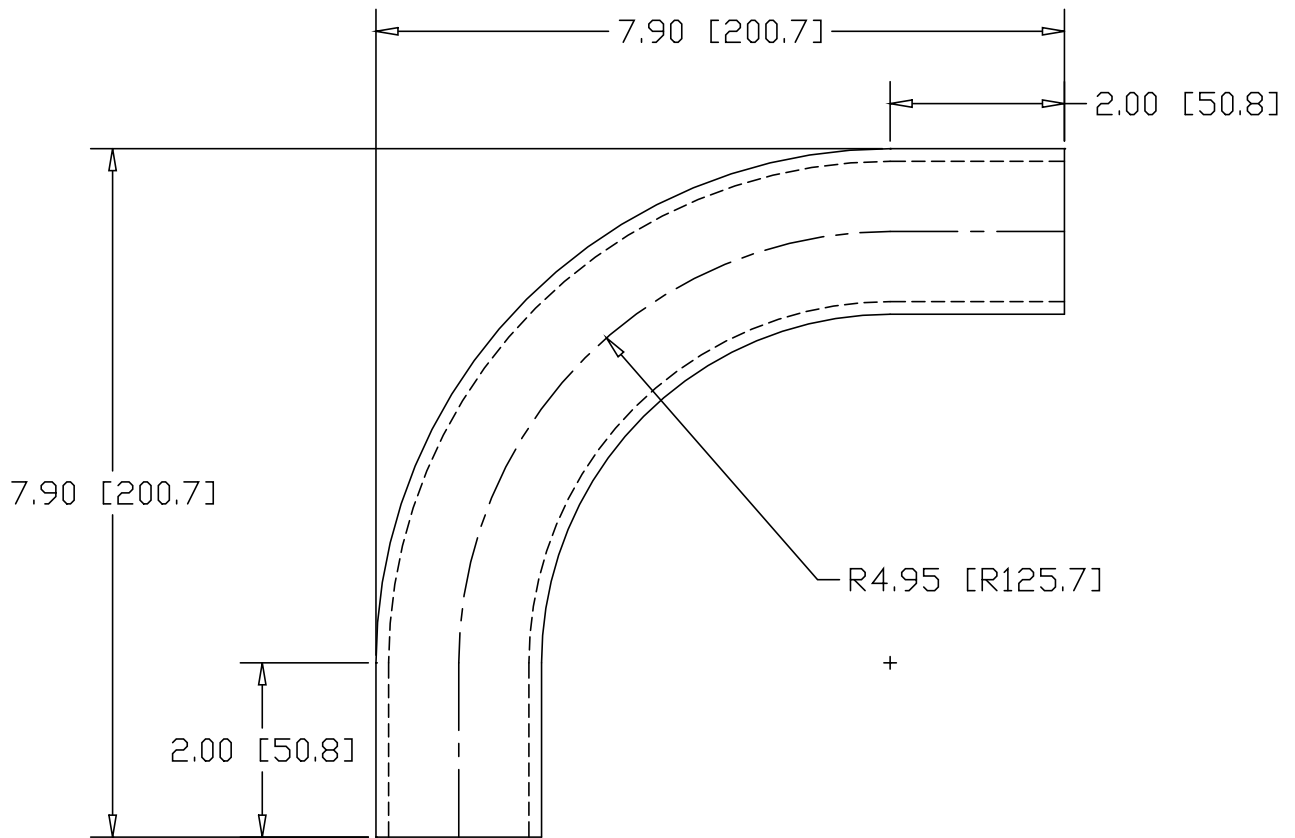


REV
SH
5670
DWG NO

REVISIONS			
REV	DESCRIPTION	DATE	APPROVED



INCHES [MILLIMETERS]

ALTERNATE MATERIAL	PART NUMBER
1-1/2" SCH 40 (6063) ALUMINUM PIPE	5680
1-1/2" SCH 40 (304) STAINLESS STEEL PIPE	5690

PART NAME 1-1/2" PIPE SIZE 90° ELL X 4" I.R. W/ (2) 2" TANGENTS			
MATERIAL 1-1/2" SCH 40 A53 STEEL PIPE			
DATE 4/5/96			
DRAWN BY RJF			
FINISH MILL			
SIZE A	WEIGHT 2.66 LBS	PART NUMBER 5670	REV