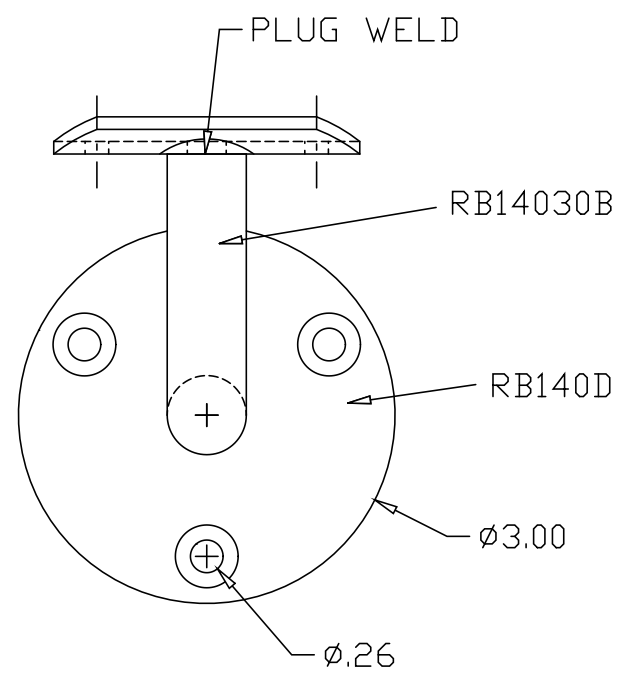
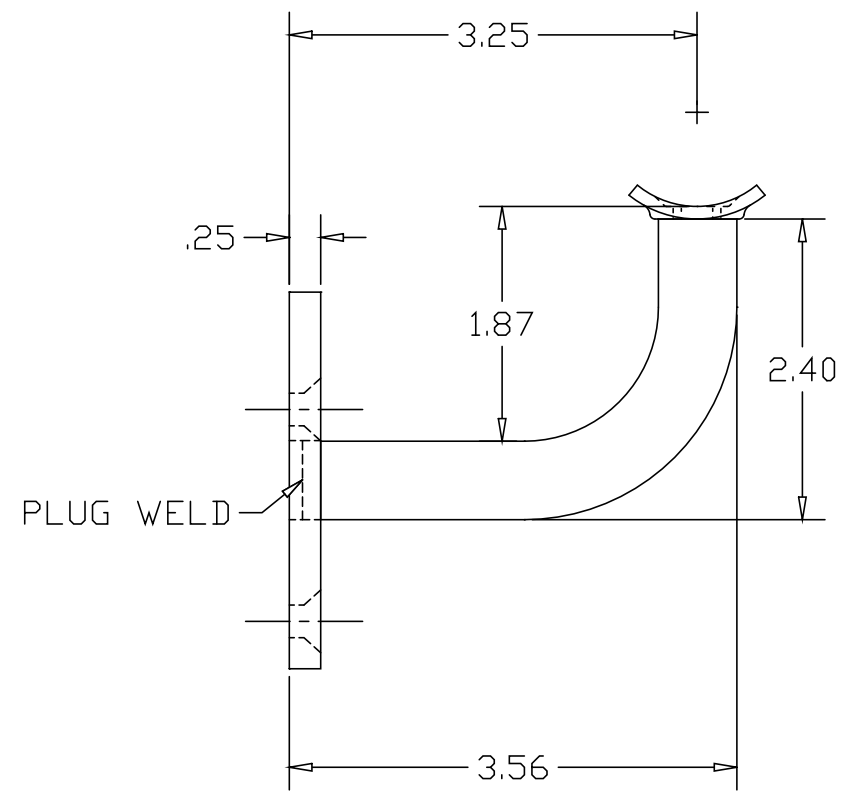



REVISIONS			
REV	DESCRIPTION	DATE	APPROVED



PART NAME		HANDRAIL BRACKET, BAR BEND FABRICATED		
MATERIAL		STEEL		
DATE	03/06/09		THE WAGNER COMPANIES R & B WAGNER, INC. AND J. G. BRAUN CO.	
DRAWN BY	RDC			
FINISH	MILL	SIZE	WEIGHT	PART NUMBER
		A		RB14030
				REV