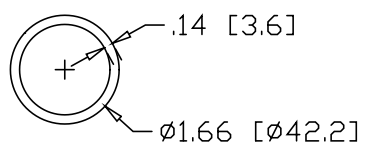
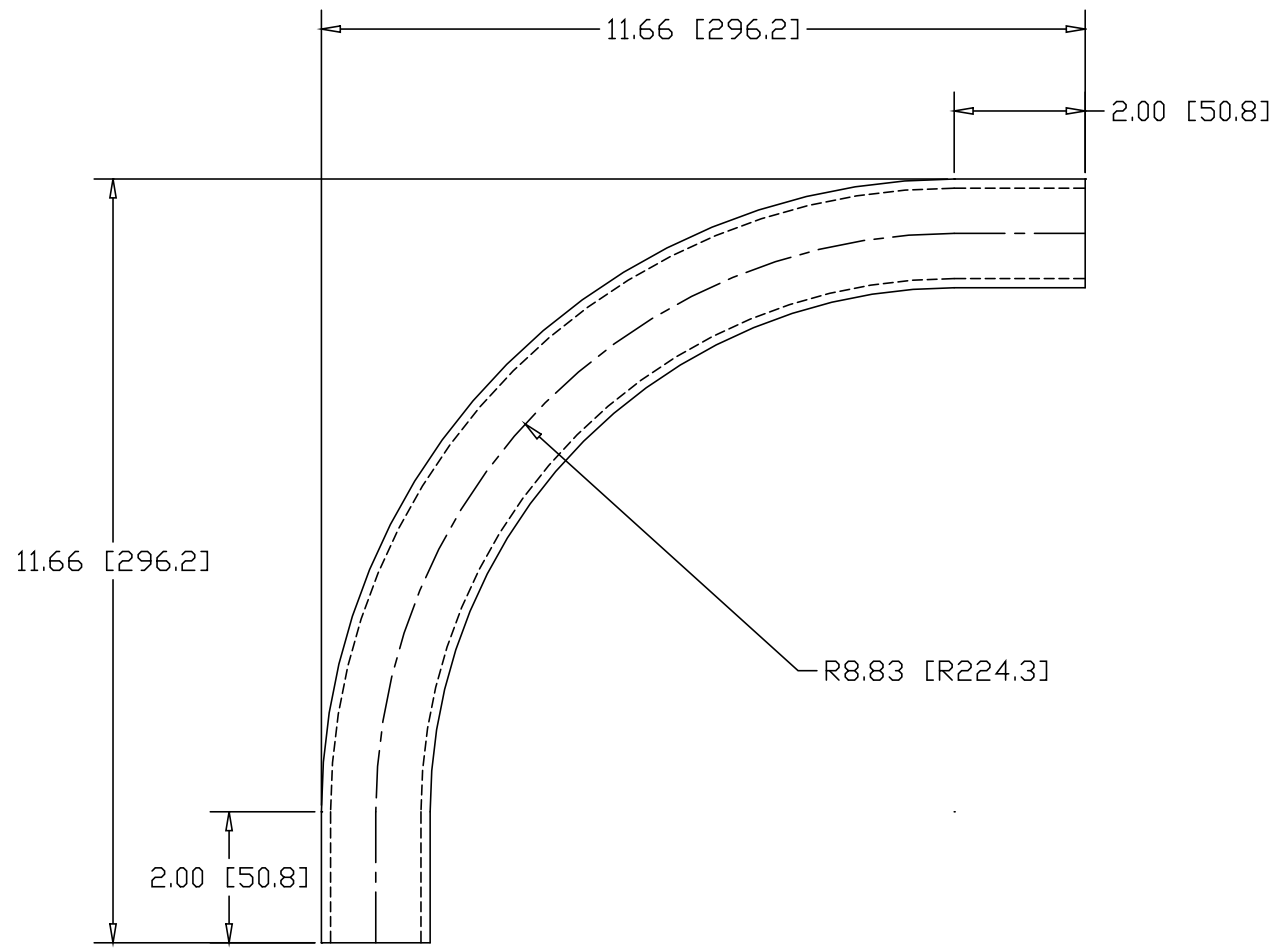



REV  
SH  
7708  
DWG NO

REVISIONS			
REV	DESCRIPTION	DATE	APPROVED



INCHES [MILLIMETERS]

ALTERNATE MATERIAL	PART NUMBER
1-1/4" SCH 40 (6063) ALUMINUM PIPE	7722
1-1/4" SCH 40 (304) STAINLESS STEEL PIPE	7736

PART NAME 1-1/4" PIPE SIZE 90° ELL X 8" I.R. W/ (2) 2" TANGENTS			
MATERIAL 1-1/4" SCH 40 A53 STEEL PIPE			
DATE 7/18/01		R & B WAGNER, INC.	
DRAWN BY JAH		SIZE A	WEIGHT 3.38 LBS
FINISH MILL		PART NUMBER 7708	REV