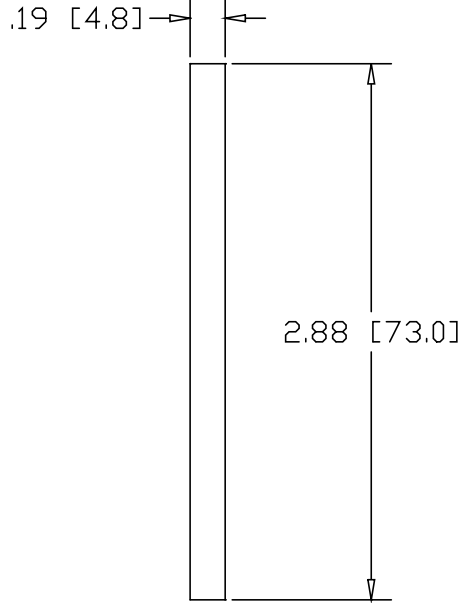
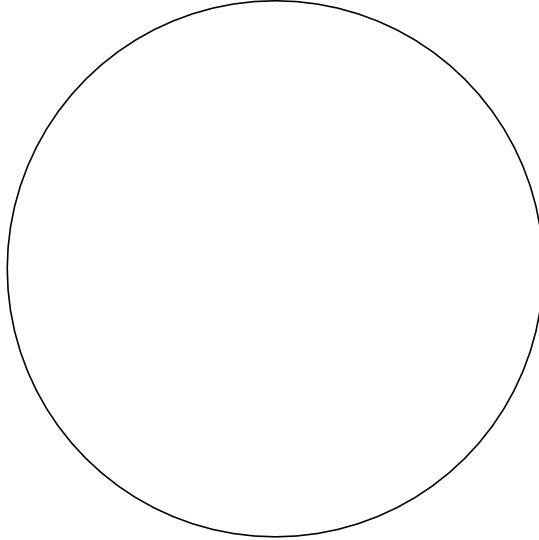
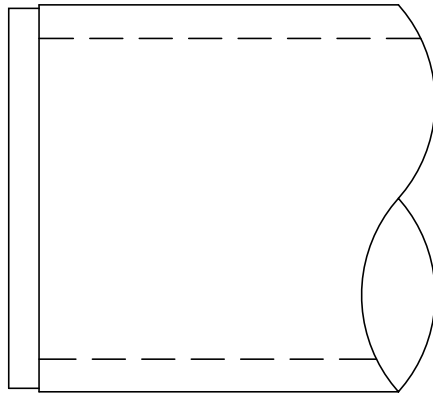
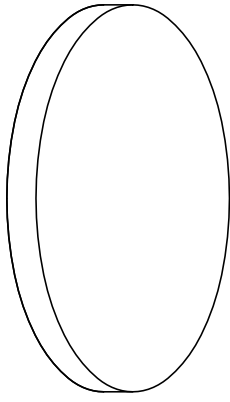



REV  
SH  
DWG NO D133-1

REVISIONS			
REV	DESCRIPTION	DATE	APPROVED



INCHES [MILLIMETERS]

ALTERNATE MATERIAL	PART NUMBER
.190 (3003) ALUMINUM ASTM B209	D133-2
7 GA 304 STAINLESS STEEL ASTM A240	D133-3
.188 (260) BRASS ASTM B19,B36	D133-4

PART NAME		2 1/2" PIPE SIZE TYPE-D WELD-ON DISK	
MATERIAL		7 GA. HRP&D STEEL ASTM A569	
DATE	10/11/96	 <b>THE WAGNER COMPANIES</b> R & B WAGNER, INC. AND J. G. BRAUN CO.	
DRAWN BY	RJF		
FINISH	MILL		
SIZE	A	WEIGHT	.32 LBS
PART NUMBER		D133-1	
REV			