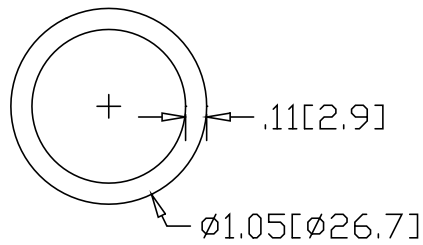
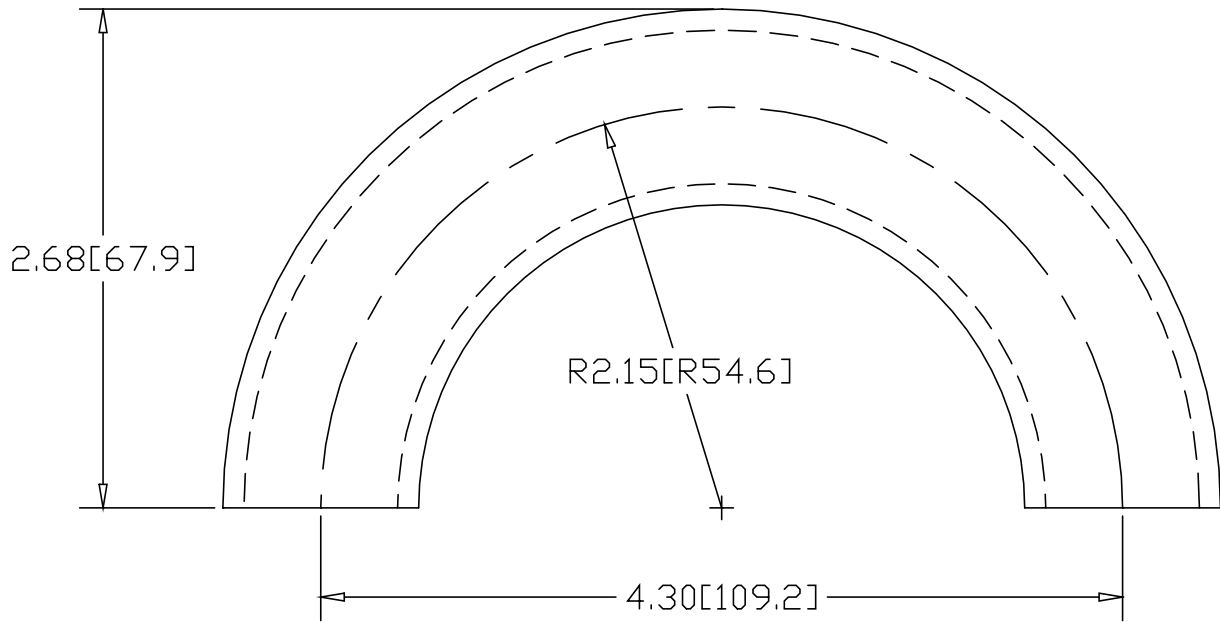



REV
SH
DWG NO 159-1

REVISIONS			
REV	DESCRIPTION	DATE	APPROVED



INCHES [MILLIMETERS]

ALTERNATE MATERIAL	PART NUMBER
3/4" SCH 40 (6063) ALUMINUM PIPE	169-1
3/4" SCH 40 (304) STAINLESS STEEL PIPE	179-1

PART NAME				3/4" PIPE SIZE 180° ELL X 1-5/8" I.R.	
MATERIAL				3/4" SCH 40 A53 STEEL PIPE	
DATE		8/18/95		 R & B WAGNER, INC.	
DRAWN BY		RJF			
FINISH		MILL		SIZE	A
				WEIGHT	.60 LBS
				PART NUMBER	159-1
				REV	