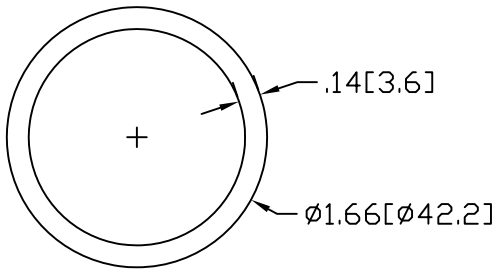
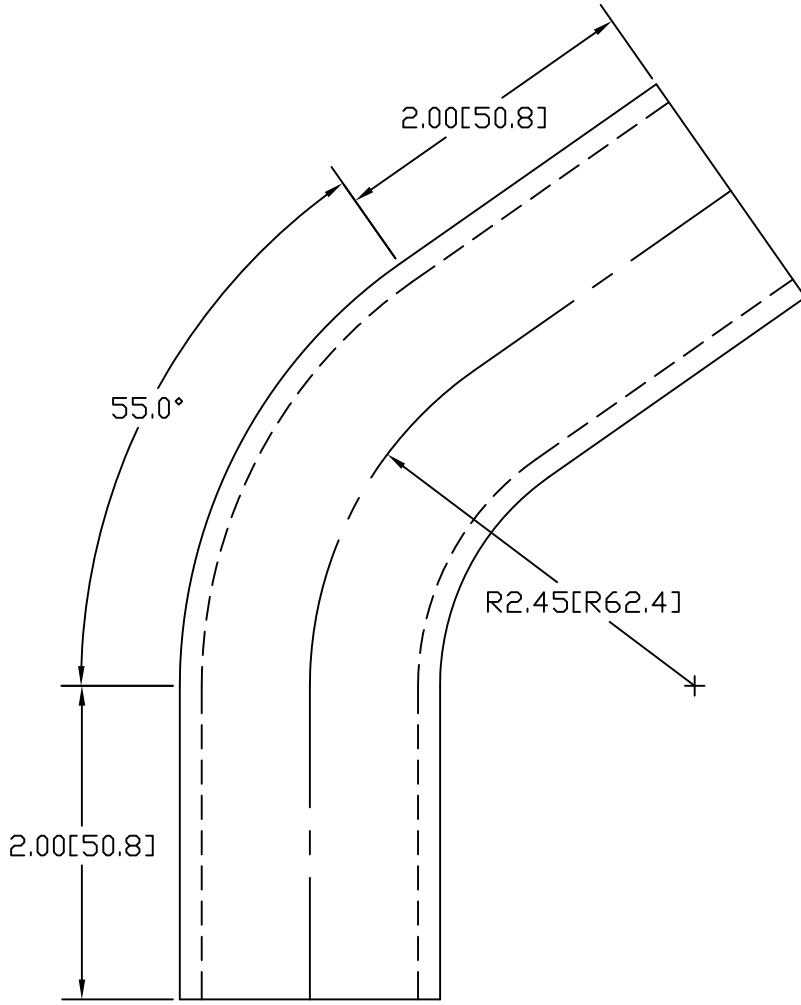



REV
SH
DWG NO 4722

REVISIONS			
REV	DESCRIPTION	DATE	APPROVED



INCHES [MILLIMETERS]

ALTERNATE MATERIAL	PART NUMBER
1-1/4" SCH 40 (6063) ALUMINUM PIPE	4727

PART NAME 1-1/4" PIPE SIZE 55° ELL X 1-5/8" I.R. W/(2) 2" TANGENTS			
MATERIAL 1-1/4" SCH 40 STEEL PIPE			
DATE 8/18/95		R & B WAGNER, INC.	
DRAWN BY RJF		SIZE A	WEIGHT .83 LBS
FINISH MILL			REV