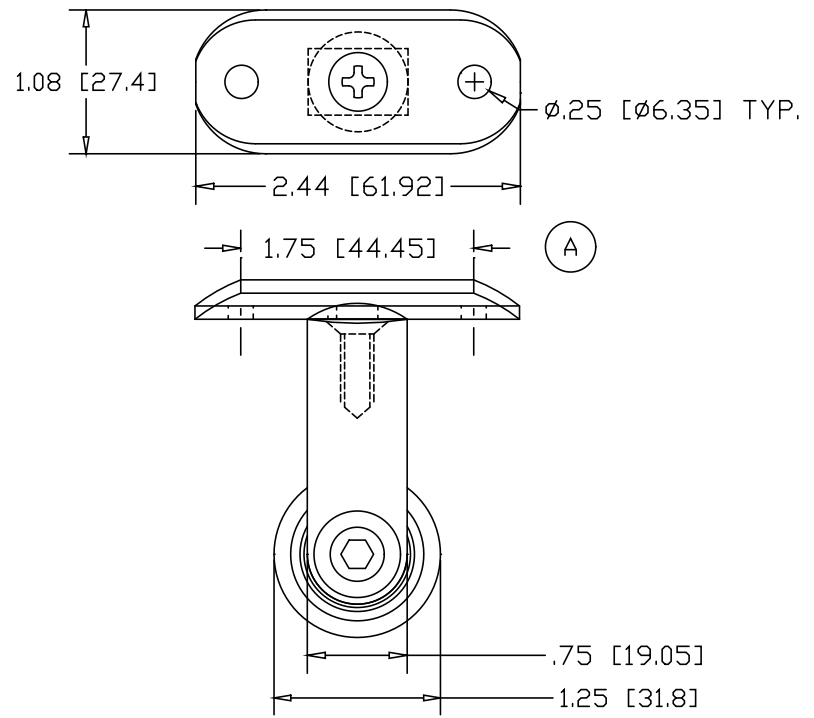
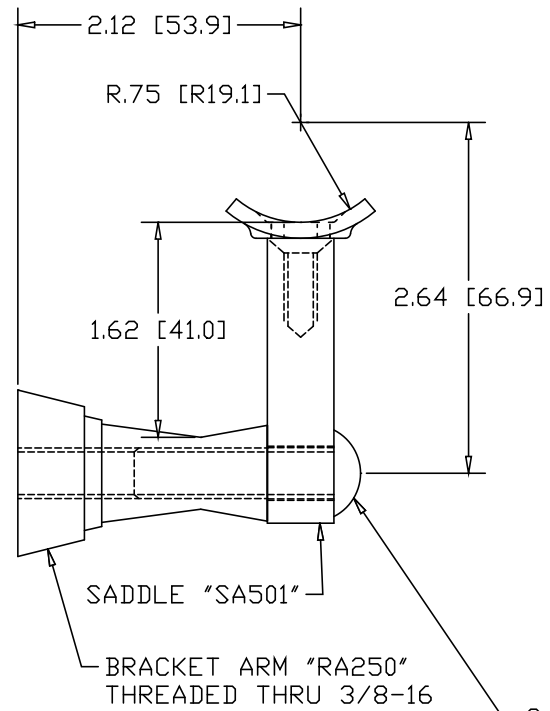
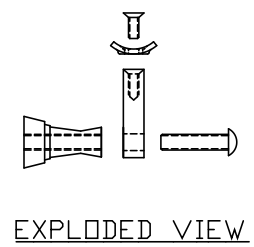


REVISIONS			
REV	DESCRIPTION	DATE	APPROVED
A	REVISED SADDLE	12/09/09	RDC



3/8-16 X 1.50" LG
BUTTON HEAD BOLT

INCHES [MILLIMETERS]



PART NAME		MACHINED BRACKET, POST MOUNT		
MATERIAL		6063 ALUMINUM		
DATE	9/15/03		THE WAGNER COMPANIES R & B WAGNER, INC. AND J. G. BRAUN CO.	
DRAWN BY	RJF			
FINISH	#6 SATIN	SIZE	WEIGHT	PART NUMBER
		A		MB2251P
				REV