

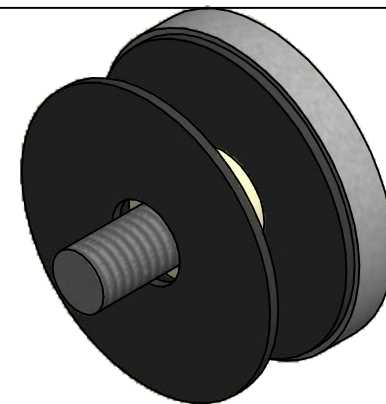
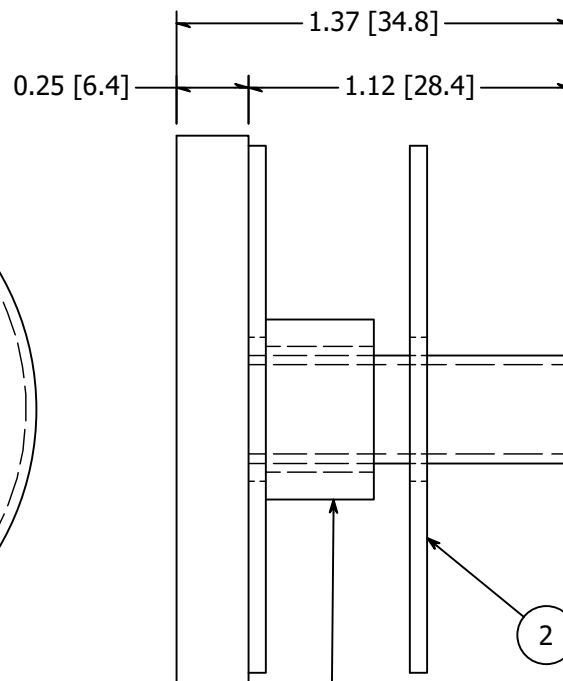
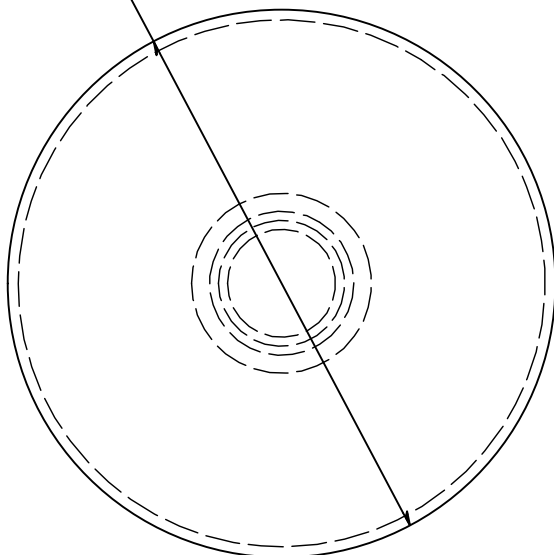
2



1

PARTS LIST

ITEM	QTY	PART NUMBER	DESCRIPTION
1	1	GB4387HS	DISK SS 1.90 .25 #4 W/.38 STUD FOR GLASS BRKT BACKING DISK
2	2	SWD3N3816-0112	Weld Stud, Stainless Steel, 3/8-16 X 1.12 No Flange Arc With 9-FB-375 Ferrule
3	1	GB4381G	SPACER NYLON .63 OD X .095W X .375 LG FOR GLASS MT BRACKET

 $\varnothing 1.90$ [$\varnothing 48.3$]


REVISION HISTORY

REV	DESCRIPTION	DATE
1	REDRAWN	02/11/10
2	1.12" STUD CHANGED TO 1.00"	02/11/10
3	TOL ON FLASH HT WAS .06	03/04/10
4	TOL ON FLASH HT WAS .13	08/25/10
5	TOL ON STUD WAS +.12/-0	07/06/17
6	CHANGE STUD TO SWD3N3816-0112	2/10/2021

TOLERANCE

UNLESS OTHERWISE NOTED, TOLERANCES TO CONFORM TO ES.03.011

MATERIAL:
316 Stainless

FINISH:
#4

WEIGHT:
N/A

DESCRIPTION: HANDRAIL BRACKET GLASS MOUNT ADAPTER ASSY, SS, 1.90 DIA, FOR 1/2" GLASS

DATE: 3/2/2021

DRAWN BY: D.Charlier

ITEM NUMBER:

REV: 1

GB4387K



10600 W Brown Deer Rd
Milwaukee, WI 53224

COLLABORATIVE METALWORKS <http://www.wagnercompanies.com/>

2



1