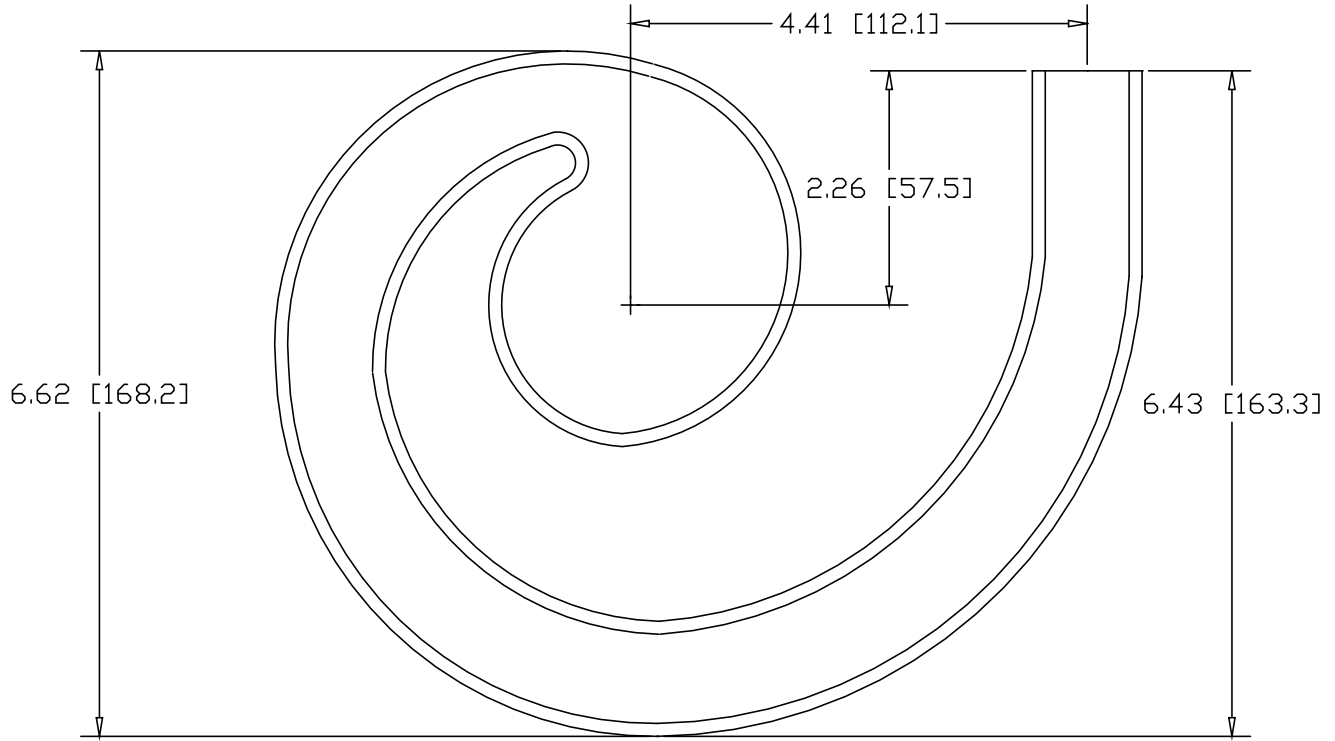
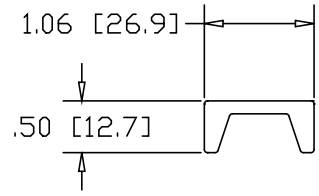



REV  
SH  
DWG NO H1248BBL

REVISIONS			
REV	DESCRIPTION	DATE	APPROVED



INCHES [MILLIMETERS]

PART NAME		INTERMEDIATE LATERAL CHANNEL, LEFT HAND					
MATERIAL		MALLEABLE IRON ASTM A47					
DATE	8/22/03		<b>THE WAGNER COMPANIES</b> R & B WAGNER, INC. AND J. G. BRAUN CO.				
DRAWN BY	RJF						
FINISH	AS-CAST						
SIZE	A	WEIGHT	1.84 LBS	PART NUMBER	H1248BBL	REV	